

BMS-311G BMS-326G

直接驱动式

程序电脑花式机

DIRECT DRIVE

PROGRAMMABLE ELECTRONIC PATTERN SEWER



本佳牌自动缝纫机
BEYOUNG®



零件手册的使用说明

目 录

A. 机体部分.....	1
B. 上轴和针杆装置.....	2
C2. 送料装置(311G,326G).....	9
C3. 送料装置.....	11
C5. 送料装置(311G,326G).....	17
C7. 送料装置(311G).....	21
C9. 送料装置(311G,326G).....	25
C10. 送料装置(选购件).....	27
D1. 抬压装置.....	29
D2. 抬压装置.....	31
D3. 抬压装置.....	33
E. 下轴装置.....	35
F. 供油润滑装置.....	37
G. 穿线装置.....	41
H. 绕线装置.....	43
J. 切线装置.....	45
K. 扫线装置.....	49
L. 松线装置.....	51
M1. 控制箱.....	53
M2. 控制箱(电源马达基板).....	55
N. 开关装置.....	57
P. 空压装置.....	59
Q2. 电气部品(311G,326G).....	63
R2. 操作盘(311G,326G).....	67
S. 马达装置.....	69
T. 踏板关系.....	71
U. 编程装置.....	73
V1. 附属装置(选购件).....	75
V2. 附属装置(选购件).....	77
V3. 附属装置(选购件).....	79
V4. 附属装置(选购件).....	81
V5. 附属装置(选购件).....	83
Z. 附件.....	85
WA. 警告标签.....	89
SP. 不同规格零部件一览表.....	90
GA. 工模具一览表.....	92
索引.....	93

Notes for using this parts book

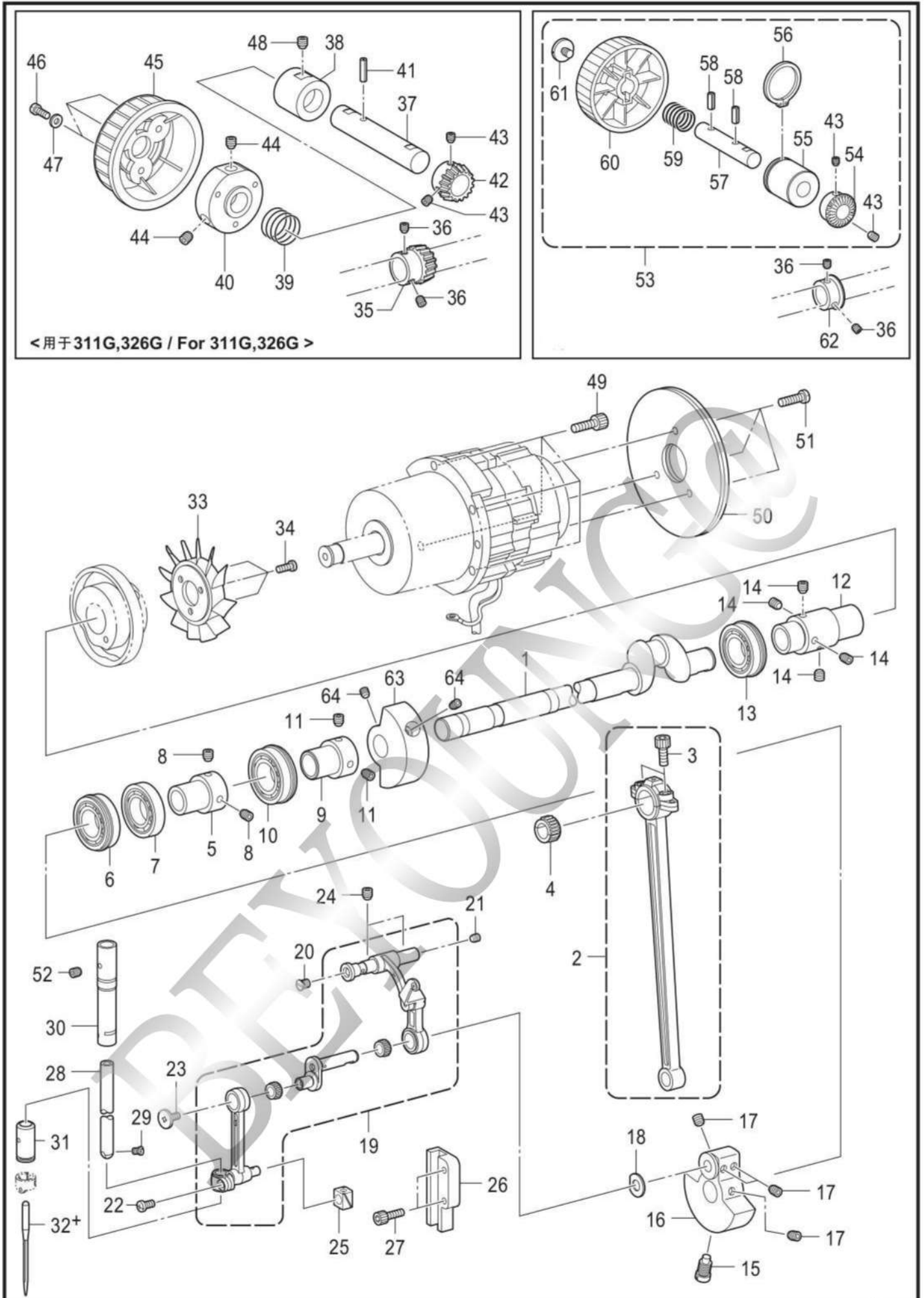
CONTENTS

A. Machine body.....	1
B. Upper shaft and needle bar mechanism.....	2
C2. Feed mechanism (311G,326G).....	9
C3. Feed mechanism	11
C5. Feed mechanism (311G,326G).....	17
C7. Feed mechanism (311G).....	21
C9. Feed mechanism (311G,326G).....	25
C10. Feed mechanism (Option parts).....	27
D1. Work clamp lifter mechanism.....	29
D2. Work clamp lifter mechanism.....	31
D3. Work clamp lifter mechanism.....	33
E. Lower shaft mechanism.....	35
F. Lubrication.....	37
G. Threading mechanism.....	41
H. Bobbin winder mechanism.....	43
J. Thread trimmer mechanism.....	45
K. Thread wiper mechanism.....	49
L. Tension release mechanism.....	51
M1. Control box.....	53
M2. Control box (Power supply motor PCB).....	55
N. Power switch mechanism.....	57
P. Air pressure mechanism.....	59
Q2. Power supply equipment (311G, 326G).....	63
R2. Operation panel (311G, 326G).....	67
S. Motor mechanism.....	69
T. Foot switch pedal mechanism.....	71
U. Programmer.....	73
V1. Attachment set (Option parts).....	75
V2. Attachment set (Option parts).....	77
V3. Attachment set (Option parts).....	79
V4. Attachment set (Option parts).....	81
V5. Attachment set (Option parts).....	83
Z. Accessories.....	85
Wa. Warning labels.....	89
Sp. Different parts list.....	90
Ga. Gauge parts list.....	92
Index.....	93

A. 机体部分 / Machine body

参照号	零部件序号	数量	零部件名称	NAME OF PARTS	RM
1	SA4594001	1	轴套U	BUSHING U	
2	117608001	1	开口销	DOWEL PIN	
3	SA4596001	1	橡皮塞 20-15	RUBBER CAP 20-15	
4	117934001	1	橡皮塞 13.5	RUBBER CAP, 13.5	
5	104821001	3	橡皮塞 10.5	RUBBER CAP, 10.5	
6	SA4597001	1	马达罩盖 R	MOTOR COVER R	
7	062061016	4	螺钉 M6X10	SCREW PAN M6X10	
8	SA4598001	1	马达罩盖 L	MOTOR COVER L	
9	062061016	4	螺钉 M6X10	SCREW PAN M6X10	
10	SA4600001	1	面板	FACE PLATE	
11	104449001	1	橡皮塞 15.5	RUBBER CAP, 15.5	
12	SA4601001	1	面板垫片	F-PLATE PACKING	
13	062061016	3	螺钉 M6X10	SCREW PAN M6X10	
14	SA4603101	1	大旋梭盖	SHUTTLE RACE COVER	
15	SA6272001	1	大旋梭盖挂钩 D	SHUTTLE RACE COVER HOOK D	
16	004300513	2	螺钉 M3X5	SCREW, FLAT M3X5	
17	SA3264001	1	板螺母	NUT PLATE	
18	SA6207001	1	铰链	HINGE	
19	021300103	2	螺母 M3	NUT, 1 M3	
23	SA3200101	1	挑线杆防护罩	THREAD TAKE-UP COVER	
24	062401006	1	螺钉 M4X10	SCREW PAN M4X10	
25	SA4604001	1	间歇盖板	STEPPING COVER	
26	SA3306001	1	轴位螺钉 7-3	SHOULDER SCREW,7-3	
27	120265002	1	弹簧垫圈	SPRING WASHER	
28	S07350002	1	垫圈	WASHER PLAIN	
29	S36475000	1	螺钉 M5	SCREW, M5	
30	SA9957002	1	警告标记	INJURY MARK	
31	SA9826001	1	操作注意标签	LABEL CAUTION	
32	S37060001	1	接地标记	LABEL, GROUNDING	
33	S20164001	1	橡皮塞 13	RUBBER CAP, 13	
34	SA8679001	1	护指器	FINGER GUARD	
35	025350332	2	平垫圈 L3.5	WASHER PLAIN L 3.5	
36	SA4605001	1	机头撑杆	HEAD REST	
37	S42446001	4	螺栓M6X14	BOLT, SOCKET (S/P WASHER) M6X14	
38	062300506	4	螺钉 M3X5	SCREW PAN M3X5	
39	SA6194001	1	橡皮塞 26	RUBBER CAP 26	
40	S44010001	2	橡皮塞 11.5	RUBBER CAP 11.5	
41	SA6441101	2	橡皮盖	RUBBER CAP	
42	S20164001	1	橡皮塞 13	RUBBER CAP 13	
43	104450101	2	橡皮塞 8	RUBBER CAP, 8	
44	S23337001	1	<用于300G-01[], -02[]> 橡皮塞18.5	<For 300G-01[], -02[]> RUBBER CAP, 18.5	

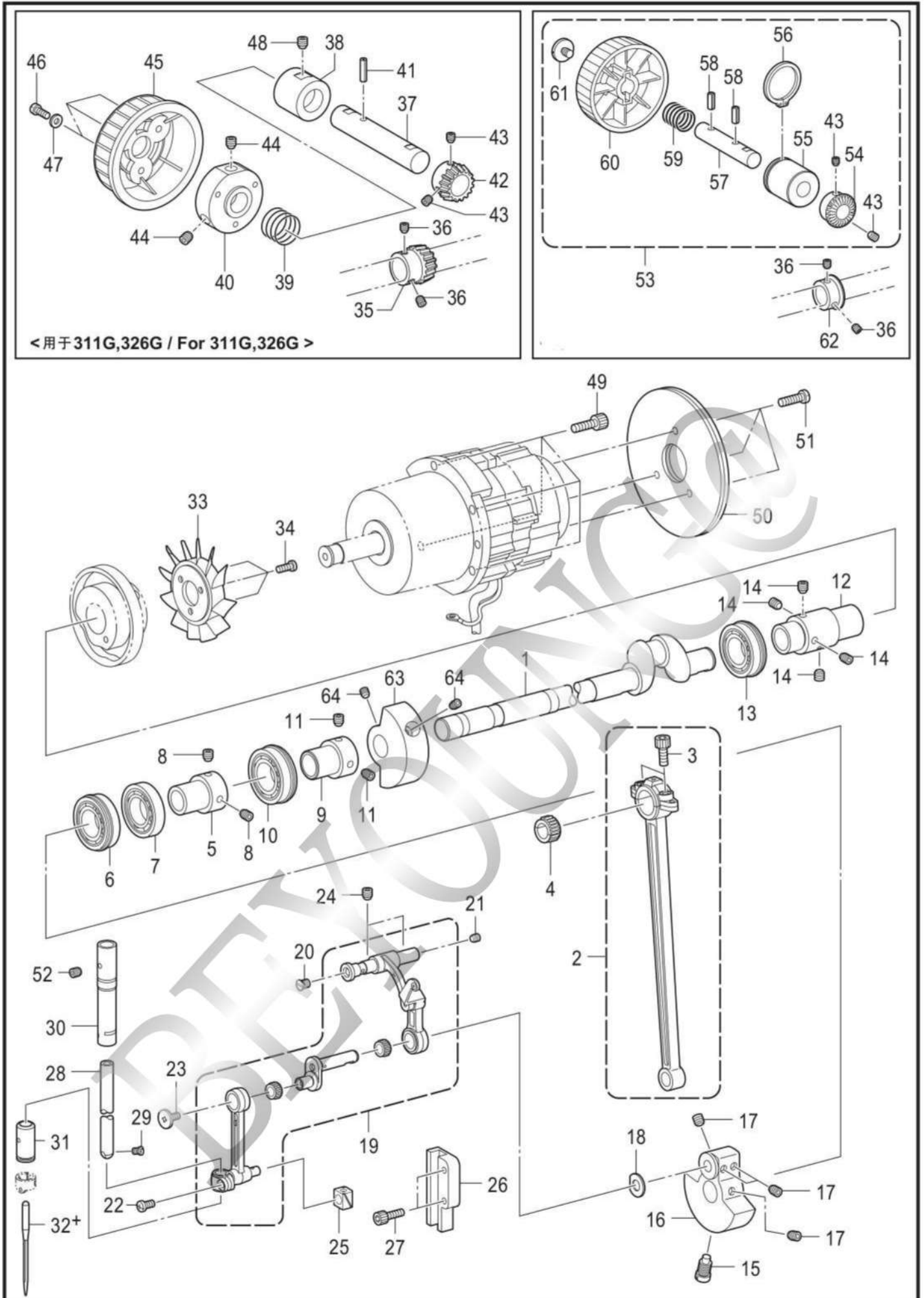
B. 上轴和针杆装置 / Upper shaft and needle bar mechanism



B. 上轴和针杆装置 / Upper shaft and needle bar mechanism

参照号	零部件序号	数量	零部件名称	NAME OF PARTS	RM
1	SA4606201	1	上轴	UPPER SHAFT	
2	SA3499001	1	曲柄轴组件	CRANK ROD ASSY	
3	018501636	2	螺栓 M5X16	BOLT SOCKET M5X16	
4	SA4172001	1	滚针轴承: 蓝	NEEDLE BEARING: BLUE	
4	SA4173001	1	滚针轴承: 黑	NEEDLE BEARING: BLACK	
4	SA4174001	1	滚针轴承: 灰	NEEDLE BEARING: GRAY	
4	SA4175001	1	滚针轴承: 黄	NEEDLE BEARING: YELLOW	
5	SA3206001	1	轴承套	BALL BEARING BUSH	
6	SA4179001	1	轴承 6904DDUNR	BALL BEARING 6904DDUNR	
7	SA4180001	1	轴承 R-6904DDU	BALL BEARING 6904DDU	
8	S23651001	2	固定螺钉 M6X6	SET SCREW, SOCKET (FT) M6X6	
9	SA3206001	1	轴承套	BALL BEARING BUSH	
10	SA4177001	1	轴承 6004DDUNR	BALL BEARING 6004DDUNR	
11	S23651001	2	固定螺钉 M6X6	SET SCREW, SOCKET (FT) M6X6	
12	SA4608101	1	管接头 G	JOINT G	
13	SA4178001	1	轴承 6204DDUNR	BALL BEARING 6204DDUNR	
14	S23651001	4	固定螺钉 M6X6	SET SCREW, SOCKET (FT) M6X6	
15	S25235001	1	螺钉 M8	SCREW, M8	
16	SA4609101	1	曲柄 G	THREAD TAKE-UP CRANK G	
17	S23651001	4	固定螺钉 M6X6	SET SCREW, SOCKET (FT) M6X6	
18	110367001	1	垫圈 8	WASHER, PLAIN SPECIAL 8	
19	SA6182001	1	针杆连杆组件 FK	THREAD TAKE-UP LEVER FK SET	
20	SA2958001	1	螺钉 M5X6	SCREW FLAT M5X6	
21	012500536	1	螺钉 M5X5	SET SCREW SOCKET (FT) M5X5	
22	062400816	1	螺钉 M4X8	SCREW PAN M4X8	
23	145465001	1	螺钉 SM3.57-40X6L	SCREW, SM3.57-40X6 L	
24	012060636	2	螺钉 M6X6	SET SCREW SOCKET (FT) M6X6	
25	142211001	1	滑块	SLIDE BLOCK	
26	SA3528001	1	滑块导向 B	SLIDE BLOCK GUIDE	
27	018401636	2	螺栓 M4X16	BOLT SOCKET M4X16	
28	SA4622001	1	针杆	NEEDLE BAR	
29	144458001	1	螺钉 SM3.57-40X4.5	SET SCREW, SM3.57-40X4.5	
30	SA4666001	1	针杆轴套 UK	NEEDLE BAR BUSH UK	
31	SA3224001	1	针杆轴套 D	NEEDLE BAR BUSH, D	
33	S38713100	1	叶轮	FAN	
34	062400816	3	螺钉 M4X8	SCREW PAN M4X8	
36	012500536	2	螺钉 M5X5	SET SCREW SOCKET (FT) M5X5	
43	012500536	2	螺钉 M5X5	SET SCREW SOCKET (FT) M5X5	
49	018501636	4	螺栓 M5X16	BOLT SOCKET M5X16	
50	SA5230001	2	惯性轮 2	FRIES WHEEL 2	
51	062401016	3	螺钉 M4X10	SCREW PAN M4X10	
52	012060536	1	螺钉 M6X5	SET SCREW SOCKET (FT) M6X5	
63	SA4797101	1	卷线驱动轮	DRIVING WHEEL B-WINDER	
64	S23651001	2	固定螺钉 M6X6	SET SCREW, SOCKET (FT) M6X6	
32+			<用于300G/311G/326G-01□> 机针DPX17...(#19)	<For 300G/311G/326G-01□> NEEDLE DPX17...(#19)	
32+			<用于300G/311G/326G-02□> 机针DPX5...(#16)	<For 300G/311G/326G-02□> NEEDLE DPX5...(#16)	
32+			<用于300G/311G/326G-03□> 机针DPX17...(#25)	<For 300G/311G/326G-03□> NEEDLE DPX17...(#25)	
53	SB2103001	1	<用于300G> 手轮轴组件	<For 300G> PULLEY SHAFT ASSY	
54	SB1039001	1	齿轮 L	PULLEY GEAR L	
55	SB1038001	1	皮带轮套	PULLEY BUSH	
56	048280142	1	轴用挡圈 C28	RETAINING RING EXTERNAL C28	
57	SB2097001	1	手轮轴	PULLEY SHAFT	
58	047402042	2	弹簧销 AW	PIN SPRING ROLL AW4	
59	SB1041001	1	皮带轮弹簧	PULLEY SPRING	
60	SB0910002	1	手轮	PULLEY	
61	SB1040001	1	皮带轮螺钉	SCREW	
62	SA9004001	1	齿轮 R	PULLEY GEAR R	

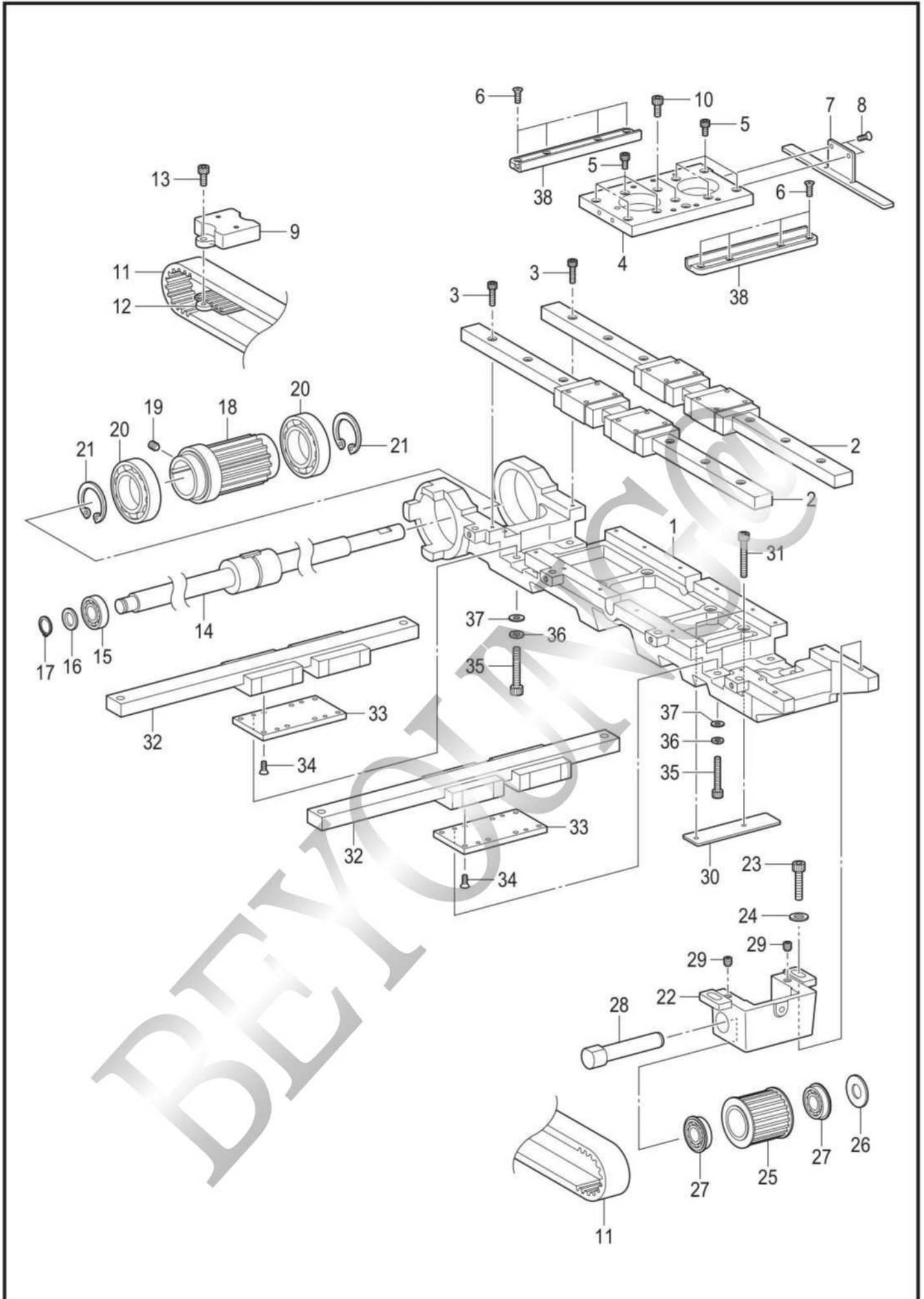
B. 上轴和针杆装置 / Upper shaft and needle bar mechanism



B. 上轴和针杆装置 / Upper shaft and needle bar mechanism

参照号	零部件序号	数量	零部件名称	NAME OF PARTS	RM
			<用于311G, 326G>	<For 311G, 326G>	
35	SA6108001	1	齿轮 R	PULLEY GEAR R	
37	SA4626101	1	上轮轴	PULLEY SHAFT	
38	SA4627001	1	上轮轴套	PULLEY BUSH	
39	SA4628101	1	上轮弹簧	PULLEY SPRING	
40	SA4629001	1	上轮基座	PULLEY BASE	
41	047401242	1	弹簧销 4X12	PIN SPRING ROLL AW4	
42	SA4624001	1	齿轮	PULLEY GEAR L	
44	S23651001	2	固定螺钉 M6X6	SET SCREW, SOCKET (FT) M6X6	
45	SA4630001	1	上轮	PULLEY	
46	062401006	3	螺钉 M4X10	SCREW PAN M4X10	
47	SA5158101	3	垫圈 L4	WASHER PLAIN L 4	
48	012060636	1	螺钉 M6X6	SET SCREW SOCKET (FT) M6X6	

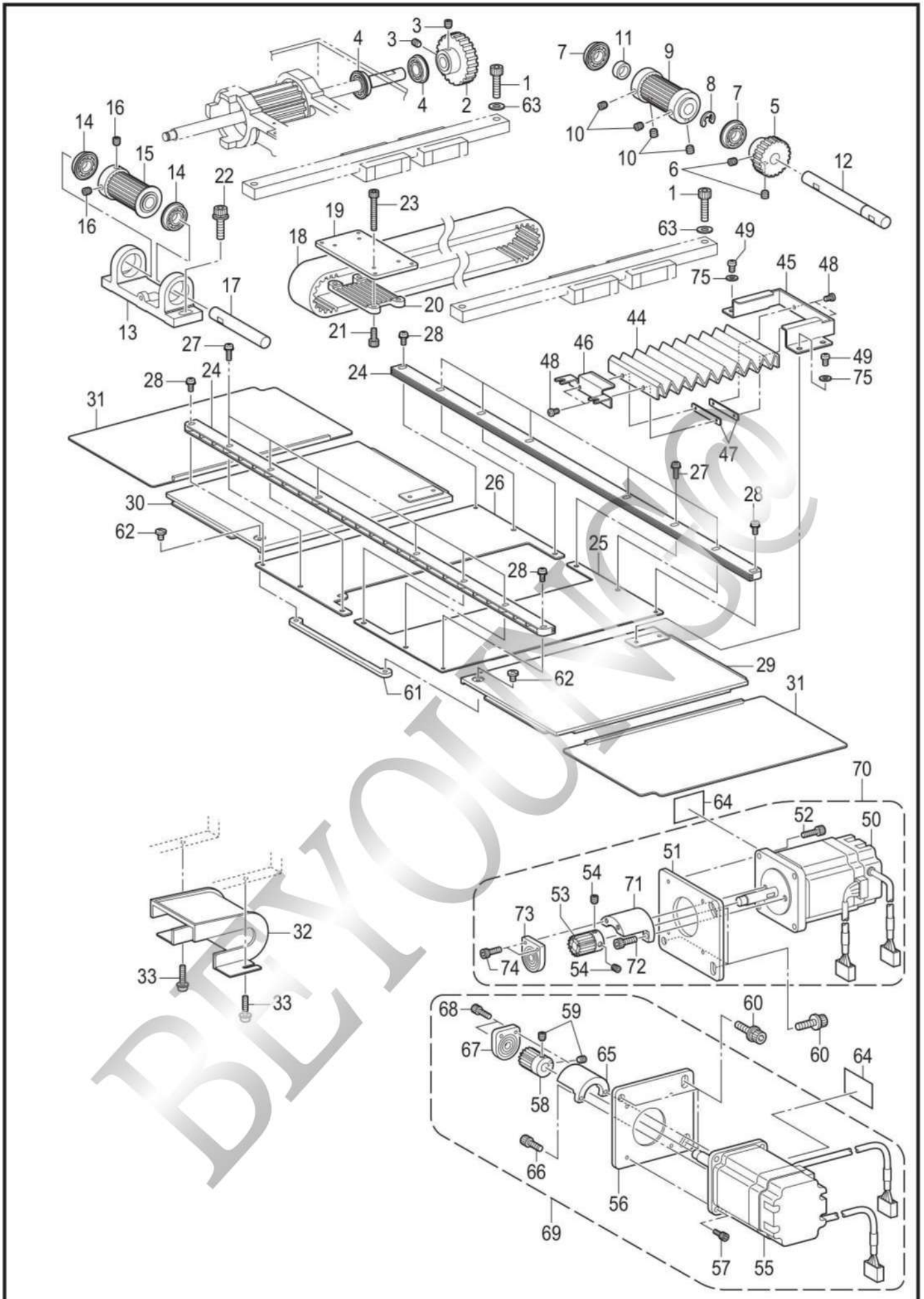
C2. 送料装置 / Feed mechanism (311G,326G)



C2. 送料装置 / Feed mechanism (311G, 326G)

参照号	零部件序号	数量	零部件名称	NAME OF PARTS	RM
1	SA5229101	1	送布基座组件	FEED BRACKET ASSY	
2	SA4637001	2	X-LM导向	X-LM GUIDE	
3	018301436	15	螺栓 M3X14	BOLT SOCKET M3X14	
4	SA8075101	1	送布台 (X)	FEED BRACKET X	
5	018300636	8	螺栓 M3X6	BOLT SOCKET M3X6	
6	061300616	8	螺钉 M3X6	SCREW FLAT M3X6	
7	SA4636101	1	传感器板 (X)	X-SENSOR PLATE	
8	061300616	2	螺钉 M3X6	SCREW FLAT M3X6	
9	SA4641001	1	皮带支架 (X)	X-BELT HOLDER	
10	018400836	2	螺栓 M4X8	BOLT SOCKET M4X8	
11	SA4649001	1	X-GT 皮带	X-GT BELT	
12	SA4640001	1	皮带支架板 (X)	X-BELT HOLDER PLATE	
13	018400836	2	螺栓 M4X8	BOLT SOCKET M4X8	
14	SA4639001	1	花键轴 (Y)	Y-BALL SPLINE	
15	076000600	1	球轴承 6000VV	BALL BEARING RADIAL 6000VV	
16	025100132	1	平垫圈 S10	WASHER PLAIN S 10	
17	048100142	1	轴用挡圈 C10	RETAINING RING EXTERNAL C10	
18	SA4638001	1	X-左轮	X-LEFT PULLEY	
19	012060636	1	螺钉 M6X6	SET SCREW SOCKET (FT) M6X6	
20	076806606	2	球轴承 6806VV	BALL BEARING 6806VV	
21	048420242	2	孔用挡圈 C42	RETAINING RING INTERNAL C42	
22	SA4642001	1	X-轮基座	X-PULLEY BRACKET	
23	018501636	2	螺栓 M5X16	BOLT SOCKET M5X16	
24	S49994001	2	平垫圈 4.76	WASHER, PLAIN 4.76	
25	SA4643001	1	X-右轮组件	X-RIGHT PULLEY ASSY	
26	S20356001	1	平垫圈 10	WASHER, PLAIN 10	
27	SA4647001	2	球轴承 6900ZZNR	BALL BEARING 6900ZZNR	
28	SA4648001	1	X-轮支点轴	X-PULLEY FULCRUM SHAFT	
29	012060636	2	螺钉 M6X6	SET SCREW SOCKET (FT) M6X6	
30	SA4650001	1	Y-传感板	Y-SENSOR PLATE	
31	018402036	2	螺栓 M4X20	BOLT SOCKET M4X20	
32	SA4651101	2	Y-LM导向	Y-LM GUIDE	
33	SA4652101	2	Y-LM垫片	Y-LM SPACER	
34	061300616	16	螺钉 M3X6	SCREW FLAT M3X6	
35	018402036	8	螺栓 M4X20	BOLT SOCKET M4X20	
36	025040236	8	平垫圈 M4	WASHER PLAIN M 4	
37	028040246	8	弹簧垫圈 2-4	WASHER SPRING 2-4	
38	SA8074101	2	内盖导轨	INSIDE COVER RAIL	

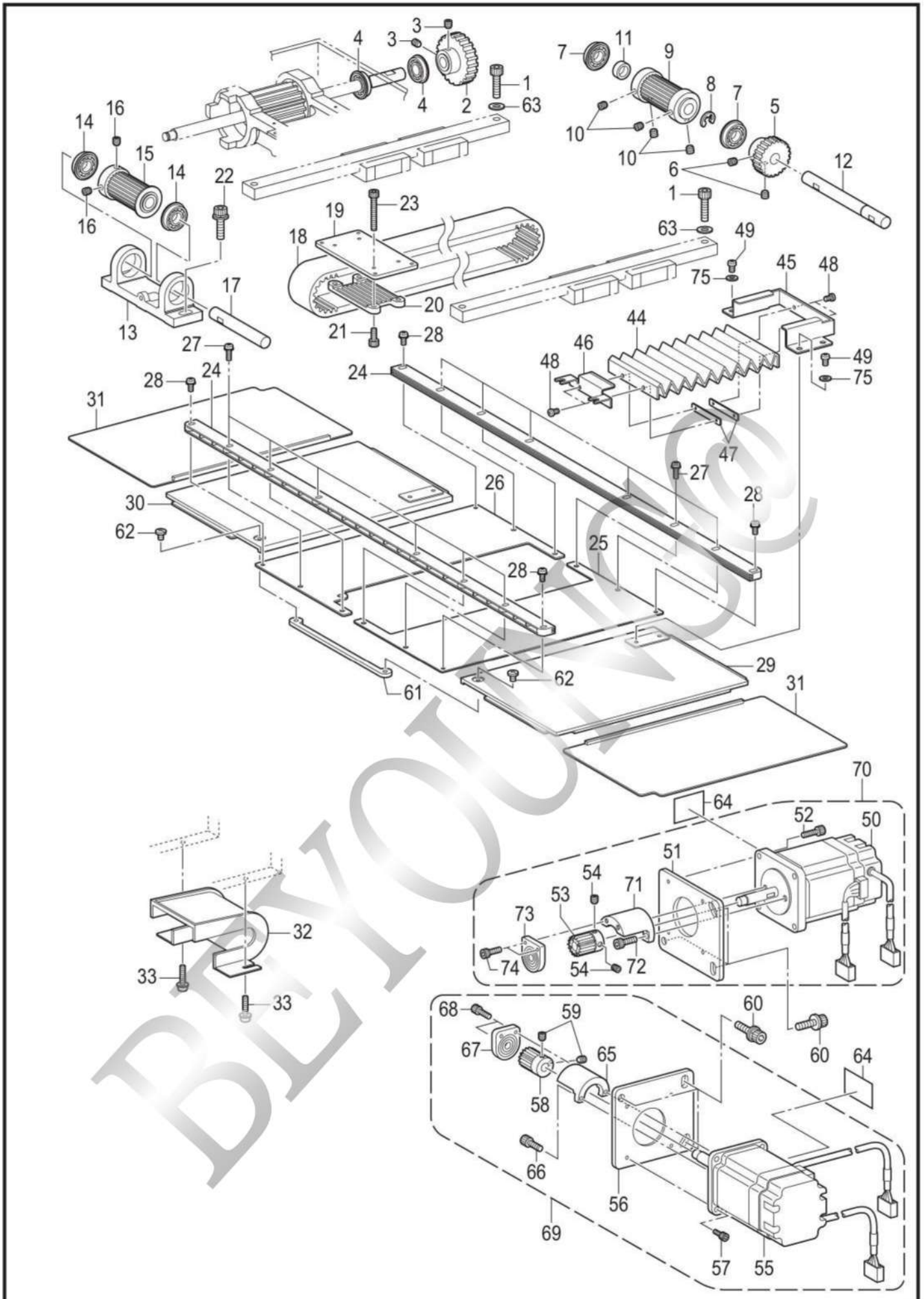
C3. 送料装置 / Feed mechanism



C3. 送料装置 / Feed mechanism

参照号	零部件序号	数量	零部件名称	NAME OF PARTS	RM
1	018062036	4	螺栓 M6X20	BOLT SOCKET M6X20	
2	SA4653001	1	X-送布齿轮	X-FEED GEAR	
3	012060636	2	螺钉 M6X6	SET SCREW SOCKET (FT) M6X6	
4	SA4647001	2	球轴承 6900ZZNR	BALL BEARING 6900ZZNR	
5	SA4654001	1	Y-送布齿轮	Y-FEED GEAR	
6	012060636	2	螺钉 M6X6	SET SCREW SOCKET (FT) M6X6	
7	SA4647001	2	球轴承 6900ZZNR	BALL BEARING 6900ZZNR	
8	048080342	1	挡圈 E8	RETAINING RING E8	
9	SA6428001	1	Y-后轮	Y-PULLEY REAR	
10	012060636	4	螺钉 M6X6	SET SCREW SOCKET (FT) M6X6	
11	SA4658001	1	Y-轮轴套	Y-PULLEY COLLAR	
12	SA4659001	1	Y-驱动轴	Y-PULLEY DRIVING SHAFT	
13	SA4661001	1	Y-轮基座	Y-PULLEY BRACKET	
14	SA4647001	2	球轴承 6900ZZNR	BALL BEARING 6900ZZNR	
15	SA4655101	1	Y-轮组件	Y-PULLEY ASSY	
16	012060636	2	螺钉 M6X6	SET SCREW SOCKET (FT) M6X6	
17	SA4662001	1	Y-轮支点轴	Y-PULLEY FULCRUM SHAFT	
18	SA4663001	1	Y-GT皮带	Y-GT BELT	
19	SA4664001	1	Y-皮带支架板	BELT SUPPORT PLATE Y	
20	SA4665001	1	Y-皮带支撑板	Y-BELT WORK CLAMP PLATE	
21	018400836	4	螺栓 M4X8	BOLT SOCKET M4X8	
22	SA2972001	2	螺栓(带垫圈)6X18	BOLT, SOCKET (S/P WASHER) M6X18	
23	018402036	4	螺栓 M4X20	BOLT SOCKET M4X20	
24	SA8269001	2	盖轨道	COVER RAIL	
25	SA4671101	1	固定盖 (R)	FIXATION R	
26	SA4672101	1	固定盖 (L)	FIXATION L	
27	0A1401006	12	螺钉(带垫圈) 4X10A	SCREW PAN (P WASHER) M4X10	
28	0A1400606	4	螺钉(带垫圈) 4X6A	SCREW PAN (P WASHER) M4X6	
29	SA8270101	1	内盖组件 R	INSIDE COVER R ASSY	
30	SA8271101	1	内盖组件 L	INSIDE COVER L ASSY	
31	SA6361001	2	外盖组件	OUTSIDE COVER ASSY	
32	SA4673101	1	Y-皮带轮盖	BELT COVER Y	
33	0A5401006	2	螺钉(带垫圈) M4X10DB	SCREW PAN (S/P WASHER) M4X10	
44	SA4679101	1	蛇纹管	BELLOW	
45	SA4680201	1	蛇纹管支架 R	BELLOW PRESSER R	
46	SA4681101	1	蛇纹管支架 F	BELLOW PRESSER F	
47	SA4682001	2	螺母	BELLOW NUT	
48	062300416	4	螺钉 M3X4	SCREW PAN M3X4	
49	062400616	4	螺钉 M4X6	SCREW PAN M4X6	
75	025040236	4	平垫圈 M4	WASHER PLAIN M 4	
50	SA4820301	1	脉冲马达组件 X	PULSE MOTOR ASSY X	
51	SA4684001	1	马达安装板	MOTOR BRACKET PLATE	
52	018401036	4	螺栓 M4X10	BOLT SOCKET M4X10	
53	SA3707101	1	驱动齿轮 16	GEAR 16	
54	012060536	2	螺钉 M6X5	SET SCREW SOCKET (FT) M6X5	
55	SA4823301	1	脉冲马达组件 Y	PULSE MOTOR ASSY Y	
56	SA4684001	1	马达安装板	MOTOR BRACKET PLATE	
57	018401036	4	螺栓 M4X10	BOLT SOCKET M4X10	
58	SA3707101	1	驱动齿轮 16	GEAR 16	
59	012060536	2	螺钉 M6X5	SET SCREW SOCKET (FT) M6X5	
60	S42446001	6	螺栓M6X14	BOLT, SOCKET (S/P WASHER) M6X14	
61	SA8273001	1	盖连接板	COVER CONNECT PLATE	
62	S23418001	2	螺钉 M4X5	SCREW, M4X5	
63	118735001	4	垫圈	WASHER	
64	SA4224001	2	注意符号 30X40	MARK, ATTENTION 30X40	
65	SA6450101	1	轴承支架座	BEARING HOLDER BASE	
66	018501036	2	螺栓 M5X10	BOLT SOCKET M5X10	
67	SA6451101	1	轴承支架组件	BEARING HOLDER ASSY	
68	018401036	2	螺栓 M4X10	BOLT SOCKET M4X10	
69	SA6589101	1	Y-送料马达大组件	Y-FEED MOTOR L ASSY	
70	SA8056001	1	X-送料马达大组件	X-FEED MOTOR L ASSY	
71	SA6450101	1	轴承支架座	BEARING HOLDER BASE	
72	018501036	2	螺栓 M5X10	BOLT SOCKET M5X10	

C3. 送料装置 / Feed mechanism

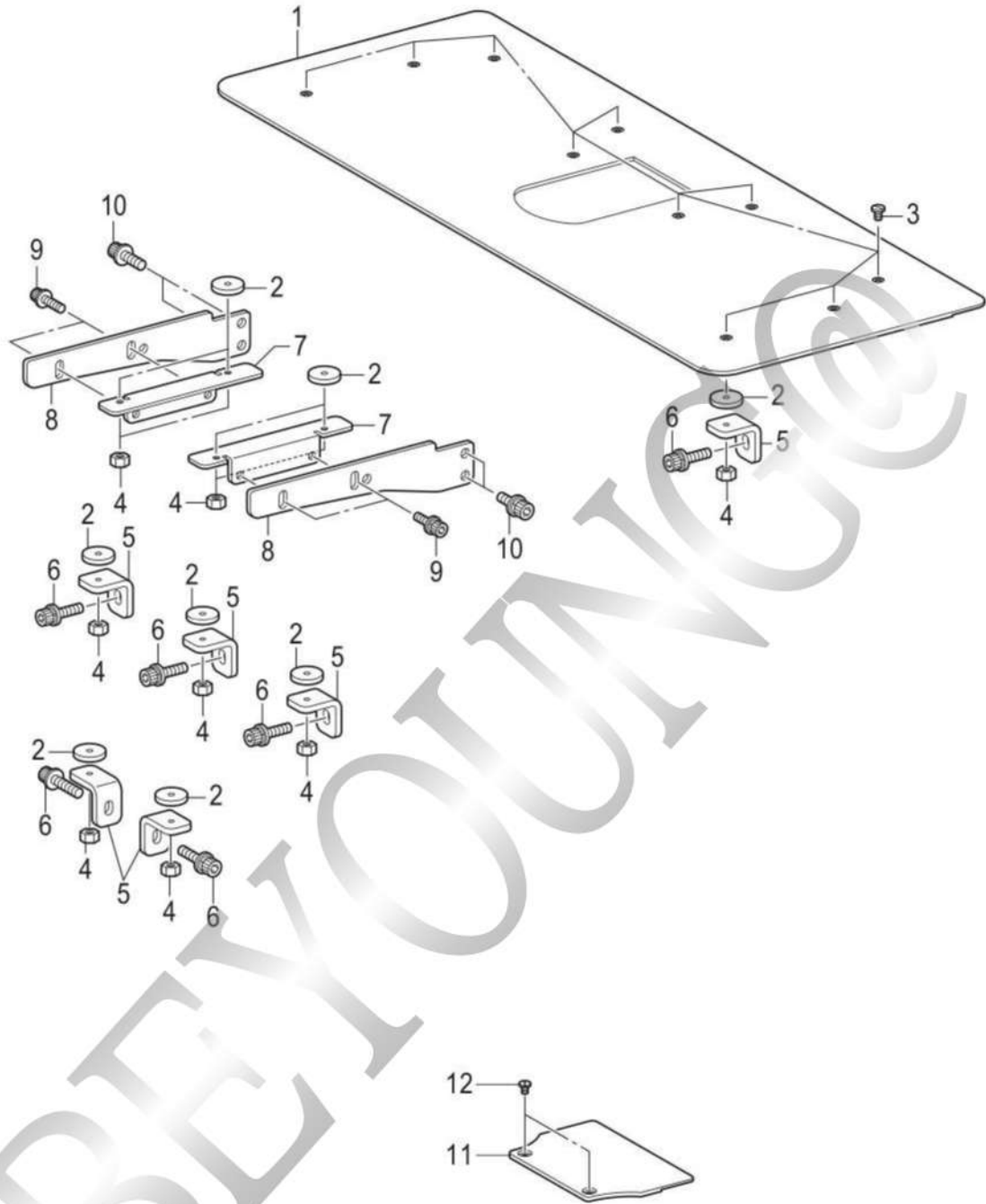


C3. 送料装置 / Feed mechanism

参照号	零部件序号	数量	零部件名称	NAME OF PARTS	RM
73	SA6451101	1	轴承支架组件	BEARING HOLDER ASSY	
74	018401036	2	螺栓 M4X10	BOLT SOCKET M4X10	

BEYOUNG@

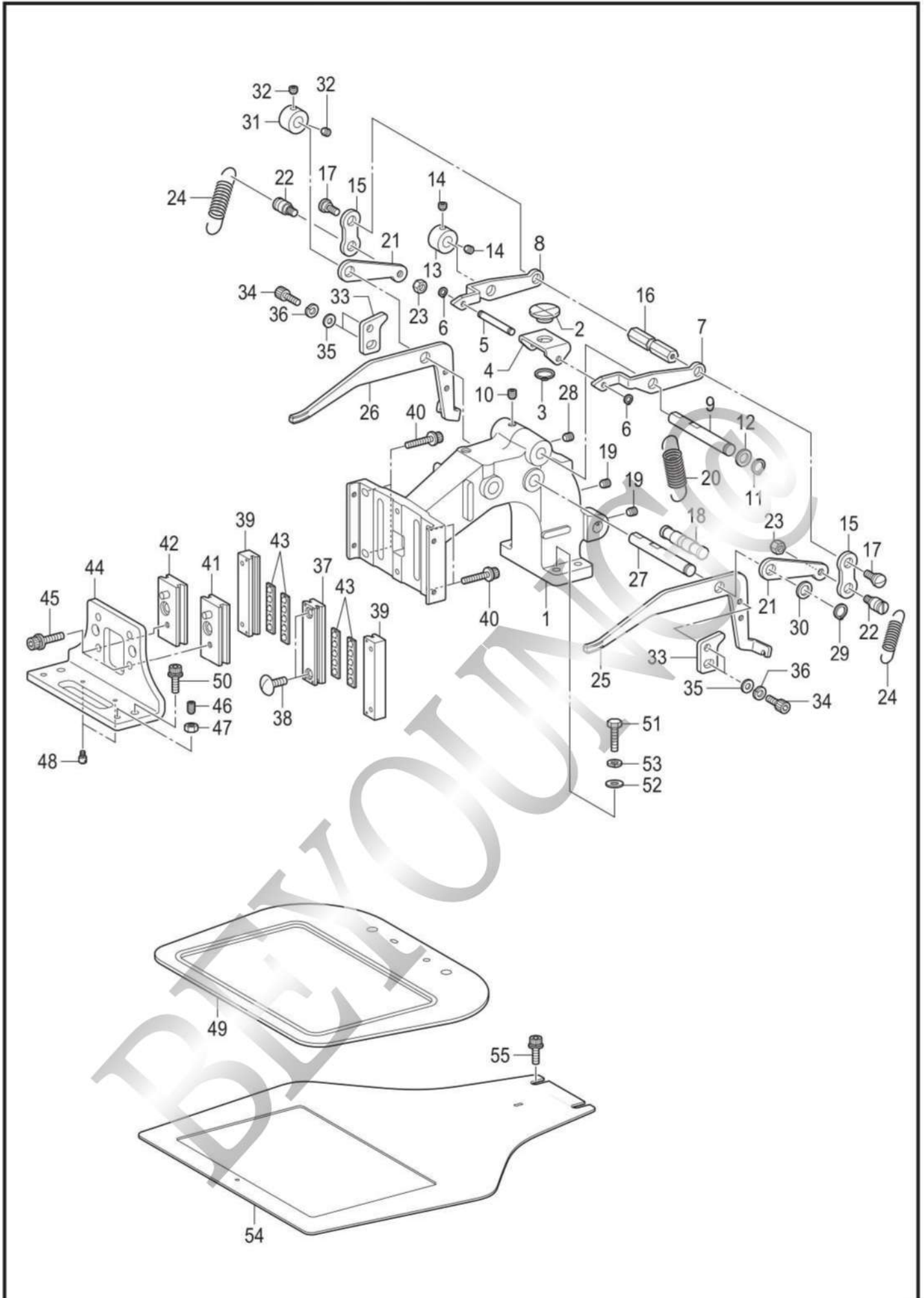
C5. 送料装置 / Feed mechanism (311G,326G)



C5. 送料装置 / Feed mechanism (311G, 326G)

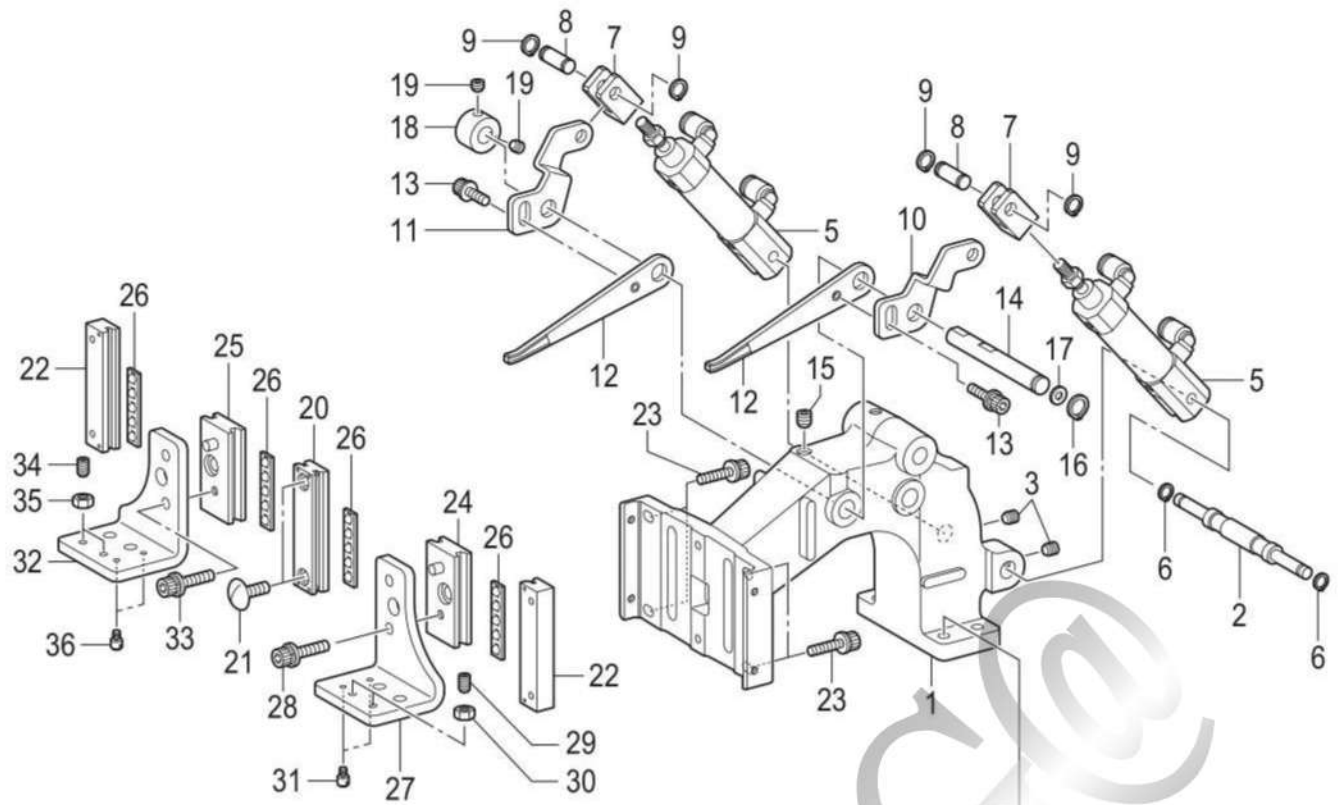
参照号	零部件序号	数量	零部件名称	NAME OF PARTS	RM
1	SA4675301	1	补助板	AUXILIARY PLATE	
2	SA4677101	10	补助板缓冲	AUXILIARY PLATE CUSHION	
3	SA8560001	10	螺钉 M4X12	SCREW M4X12	
4	021400216	10	六角螺母 M4	NUT 2 M4	
5	SA4676201	6	补助板支架	AUXILIARY PLATE BRACKET	
6	S42446001	6	螺栓M6X14	BOLT, SOCKET (S/P WASHER) M6X14	
7	SA6434101	2	补助板支架 U	SUPPORT PLATE GUIDE U	
8	SA6435201	2	补助板支架 D	SUPPORT PLATE GUIDE D	
9	S55484002	4	螺栓(带垫圈) M5X10	BOLT, SOCKET (S/P WASHER) M5X10	
10	S42446001	4	螺栓M6X14	BOLT, SOCKET (S/P WASHER) M6X14	
11	SA6594001	1	针板辅助板	SHORT AUXILIARY PLATE	
12	SA3538001	2	螺钉 M4X8	SCREW, M4X8	

C7. 送料装置 / Feed mechanism (311G-0[JS])

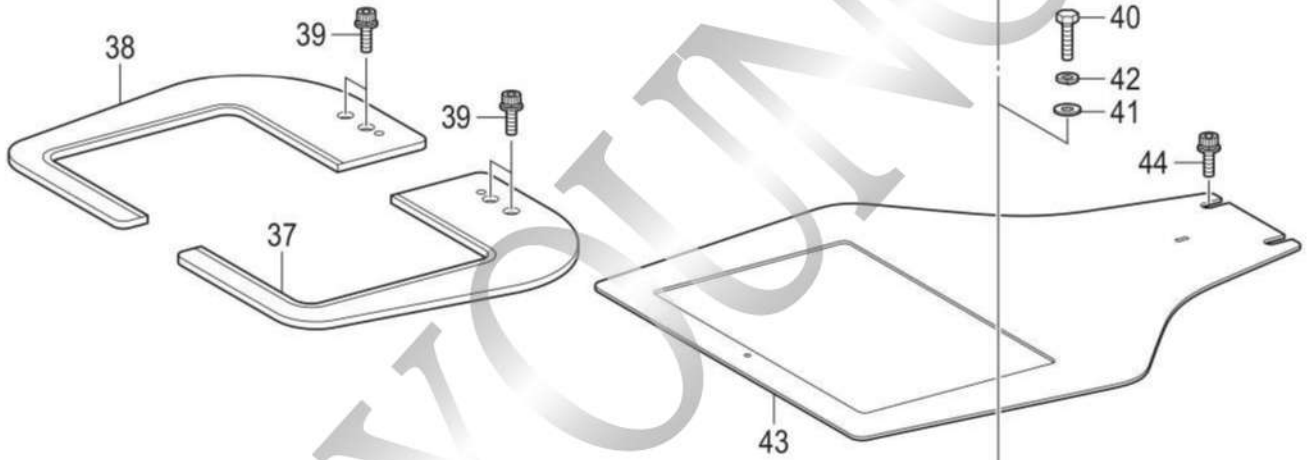


C7. 送料装置 / Feed mechanism (311G)

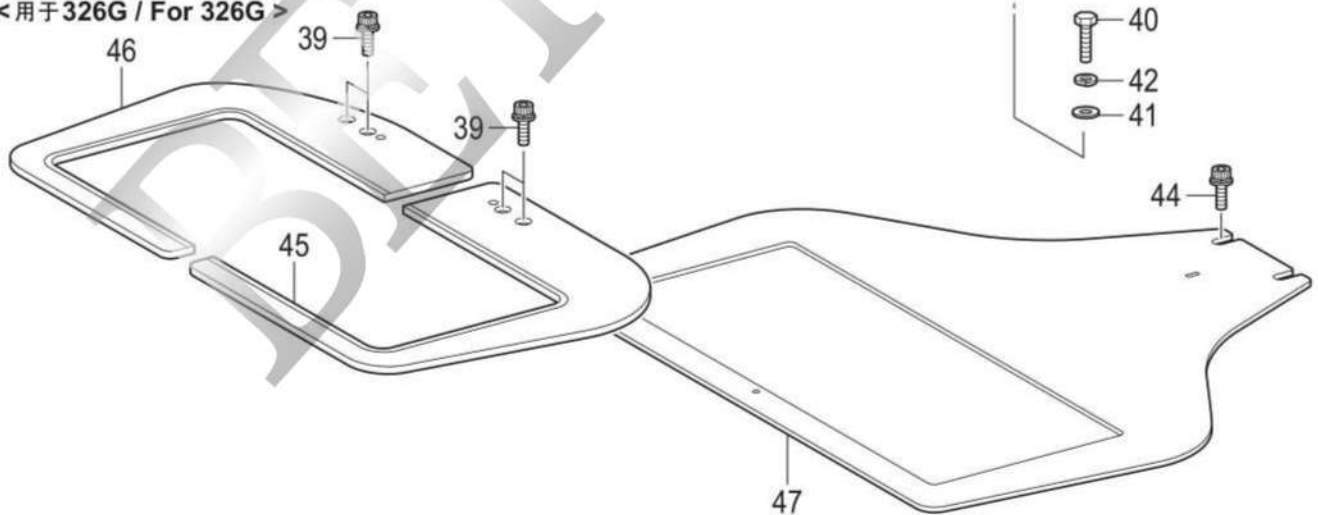
参照号	零部件序号	数量	零部件名称	NAME OF PARTS	RM
1	SA4686101	1	压脚臂	WORK CLAMP	
2	SA4687101	1	滑块	SLIDER	
3	048100142	1	轴用挡圈 C10	RETAINING RING EXTERNAL C10	
4	SA4688001	1	滑块支架	SUPPORT SLIDER	
5	SA4689001	1	滑块支架轴	SUPPORT SHAFT SLIDER	
6	048040142	2	轴用挡圈 C4	RETAINING RING EXTERNAL C4	
7	SA4690001	1	压脚柄 R	WORK CLAMP LIFTER LEVER R	
8	SA4691001	1	压脚柄 L	WORK CLAMP LIFTER LEVER L	
9	SA4692001	1	压脚臂杆轴	WORK CLAMP LIFTER SHAFT	
10	012060636	1	螺钉 M6X6	SET SCREW SOCKET (FT) M6X6	
11	048080142	1	轴用挡圈 C8	RETAINING RING EXTERNAL C8	
12	110367001	1	垫圈 8	WASHER, PLAIN SPECIAL 8	
13	SA3231001	1	紧圈 B	SET SCREW COLLAR, B	
14	012060536	2	螺钉 M6X5	SET SCREW, SOCKET (FT) M6X5	
15	SA4696001	2	连杆	CONNECTING ROD	
16	SA4693001	1	弹簧挂钩轴 A	SPRING HOLDER SHAFT A	
17	SA4697001	2	轴位螺钉 M5	SHOULDER SCREW M5	
18	SA4694001	1	弹簧挂钩轴 B	SPRING HOLDER SHAFT B	
19	012060636	2	螺钉 M6X6	SET SCREW SOCKET (FT) M6X6	
20	S42767001	1	弹簧	PRESSER BAR SPRING	
21	SA4698001	2	连接板	CONNECTING LINK	
22	SA4700001	2	弹簧挂钩	WORK CLAMP SPRING HOLDER	
23	021500216	2	六角螺母 M5	NUT 2 M5	
24	SA4701001	2	弹簧	WORK CLAMP SPRING	
25	SA4702001	1	压脚臂杆 R	WORK CLAMP LIFTER LEVER R	
26	SA4703001	1	压脚臂杆 L	WORK CLAMP LIFTER LEVER L	
27	SA4692001	1	压脚臂杆轴	WORK CLAMP LIFTER SHAFT	
28	012060636	1	螺钉 M6X6	SET SCREW SOCKET (FT) M6X6	
29	048080142	1	轴用挡圈 C8	RETAINING RING EXTERNAL C8	
30	110367001	1	垫圈 8	WASHER, PLAIN SPECIAL 8	
31	SA3231001	1	紧圈 B	SET SCREW COLLAR, B	
32	012060536	2	螺钉 M6X5	SET SCREW, SOCKET (FT) M6X5	
33	SA4699001	2	定位	STOPPER	
34	018500836	4	螺栓 M5X8	BOLT SOCKET M5X8	
35	025050236	4	平垫圈 M5	WASHER PLAIN M 5	
36	028050246	4	弹簧垫圈 2-5	WASHER SPRING 2-5	
37	SA4863001	1	压脚导向组件 A	WORK CLAMP GUIDE A ASSY	
38	S23849101	2	螺钉 M4X16	SCREW, M4X16	
39	SA4864001	2	压脚导向组件 B	WORK CLAMP GUIDE B ASSY	
40	S55482001	4	螺栓(带垫圈) M4X14	BOLT, SOCKET (S/P WASHER) M4X14	
41	SA4712001	1	压脚滑块组件 R	WORK CLAMP SLIDER ASSY R	
42	SA4714001	1	压脚滑块组件 L	WORK CLAMP SLIDER ASSY L	
43	SA4706101	4	压脚挡板组件	WORK CLAMP RETAINER ASSY	
44	SA4708101	1	压脚	WORK CLAMP	
45	S55485001	2	螺栓(带垫圈) M5X12	BOLT, SOCKET (S/P WASHER) M5X12	
46	012501031	2	螺钉 M5X10	SET SCREW SOCKET (FT) M5X10	
47	021500216	2	六角螺母 M5	NUT 2 M5	
48	SA4709001	2	定位轴位螺钉	SHOULDER SCREW	
49	SA4866201	1	压板组件 311	WORK CLAMP 311 ASSY	
50	S55484002	2	螺栓(带垫圈) M5X10	BOLT, SOCKET (S/P WASHER) M5X10	
51	017501616	4	螺栓 M5X16	BOLT M5X16	
52	025050236	4	平垫圈 M5	WASHER PLAIN M 5	
53	028050246	4	弹簧垫圈 2-5	WASHER SPRING 2-5	
54	SA4715101	1	送料板 311G	FEED PLATE 311G	
55	S55484002	2	螺栓(带垫圈) M5X10	BOLT, SOCKET (S/P WASHER) M5X10	



<用于311G / For 311G>



<用于326G / For 326G>



C9. 送料装置 / Feed mechanism (311G , 326G)

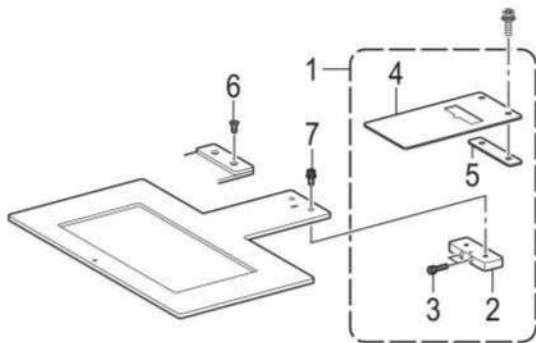
参照号	零部件序号	数量	零部件名称	NAME OF PARTS	RM
1	SA4686101	1	压脚臂	WORK CLAMP	
2	SA4717001	1	气缸轴	CYLINDER SHAFT	
3	012060636	2	螺钉 M6X6	SET SCREW SOCKET (FT) M6X6	
5	SA4719001	2	气缸组件 R	AIR CYLINDER ASSY	
6	048050142	2	轴用挡圈 C5	RETAINING RING EXTERNAL C5	
7	SA4720001	2	气缸接头	CYLINDER JOINT	
8	SA4721001	2	气缸接头轴	CYLINDER JOINT SHAFT	
9	048060142	4	轴用挡圈 C6	RETAINING RING EXTERNAL C6	
10	SA4722001	1	压脚柄 R(气压)	WORK CLAMP LIFTER LEVER R AIR	
11	SA4723001	1	压脚柄 L(气压)	WORK CLAMP LIFTER LEVER L AIR	
12	SA4724001	2	压脚臂杆(气压)	WORK CLAMP LIFTER SHAFT AIR	
13	S55479001	2	螺栓(带垫圈) M4X8	BOLT, SOCKET (S/P WASHER) M4X8	
14	SA4692001	1	压脚臂杆轴	WORK CLAMP LIFTER SHAFT	
15	012060636	1	螺钉 M6X6	SET SCREW SOCKET (FT) M6X6	
16	048080142	1	轴用挡圈 C8	RETAINING RING EXTERNAL C8	
17	110367001	1	垫圈 8	WASHER, PLAIN SPECIAL 8	
18	SA3231001	1	紧圈 B	SET SCREW COLLAR, B	
19	012060536	2	螺钉 M6X5	SET SCREW, SOCKET (FT) M6X5	
20	SA4863001	1	压脚导向组件 A	WORK CLAMP GUIDE A ASSY	
21	S23849101	2	螺钉 M4X16	SCREW, M4X16	
22	SA4864001	2	压脚导向组件 B	WORK CLAMP GUIDE B ASSY	
23	S55482001	4	螺栓(带垫圈) M4X14	BOLT, SOCKET (S/P WASHER) M4X14	
24	SA4712001	1	压脚滑块组件 R	WORK CLAMP SLIDER ASSY R	
25	SA4714001	1	压脚滑块组件 L	WORK CLAMP SLIDER ASSY L	
26	SA4706101	4	压脚挡板组件	WORK CLAMP RETAINER ASSY	
27	SA4725001	1	压脚 R	WORK CLAMP R	
28	S55485001	1	螺栓(带垫圈) M5X12	BOLT, SOCKET (S/P WASHER) M5X12	
29	012501031	2	螺钉 M5X10	SET SCREW SOCKET (FT) M5X10	
30	021500216	2	六角螺母 M5	NUT 2 M5	
31	SA4709001	2	定位轴位螺钉	SHOULDER SCREW	
32	SA4726001	1	压脚 L	WORK CLAMP L	
33	S55485001	1	螺栓(带垫圈) M5X12	BOLT, SOCKET (S/P WASHER) M5X12	
34	012501031	2	螺钉 M5X10	SET SCREW SOCKET (FT) M5X10	
35	021500216	2	六角螺母 M5	NUT 2 M5	
36	SA4709001	2	定位轴位螺钉	SHOULDER SCREW	
39	S55484002	4	螺栓(带垫圈) M5X10	BOLT, SOCKET (S/P WASHER) M5X10	
40	017501616	4	螺栓 M5X16	BOLT M5X16	
41	025050236	4	平垫圈 M5	WASHER PLAIN M 5	
42	028050246	4	弹簧垫圈 2-5	WASHER SPRING 2-5	
44	S55484002	2	螺栓(带垫圈) M5X10	BOLT, SOCKET (S/P WASHER) M5X10	
37	SA4868201	1	<用于311G 压板组件 311	<For 311G WORK CLAMP 311 ASSY	
38	SA4869201	1	压板组件 311	WORK CLAMP 311 ASSY	
43	SA4715101	1	送料板 311G	FEED PLATE 311G	
45	SA4870201	1	<用于326G> 压脚板组件 326	<For 326G> WORK CLAMP 326 ASSY	
46	SA4871201	1	压脚板组件 326	WORK CLAMP 326 ASSY	
47	SA4852101	1	送料板 326G	FEED PLATE 326G	

C10. 送料装置(选购件) / Feed mechanism (Option parts)

< 用于 311G / For 311G >

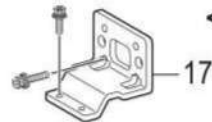
< 送料板: 上螺钉安装式

/ Feed plate: For top-tightening type >



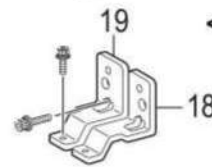
< 用于 311G / For 311G >

< 整体式 / For single type >



< 左右分离式

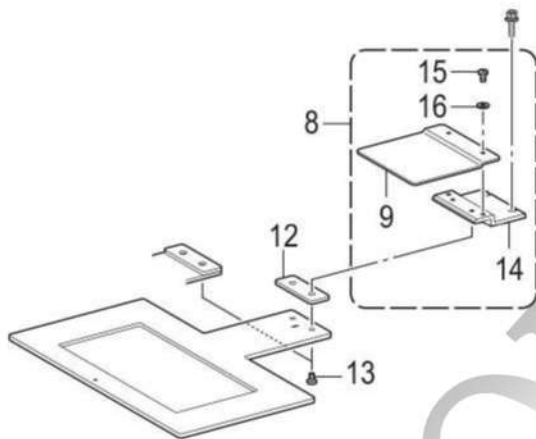
/ For separate type >



< 用于 311G / For 311G >

< 送料板: 下螺钉安装式

/ Feed plate: For bottom-tightening type >



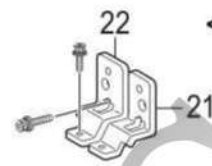
< 用于 326G / For 326G >

< 整体式 / For single type >

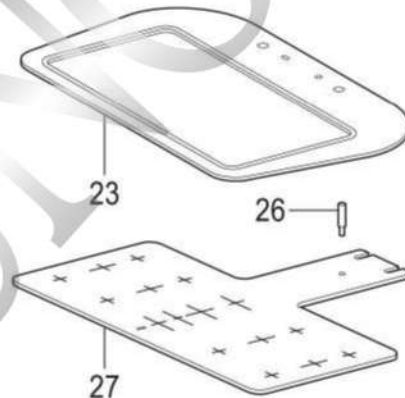


< 左右分离式

/ For separate type >



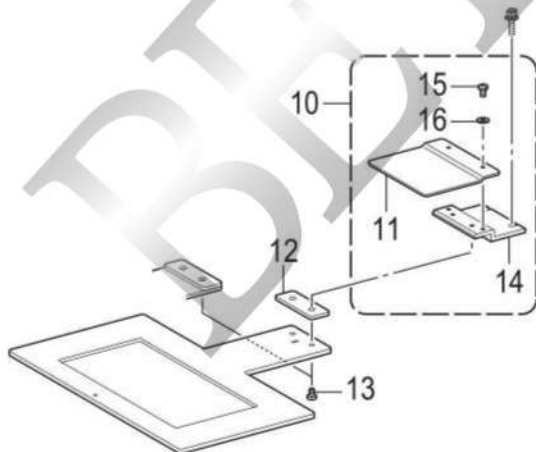
< 用于 311G, 326G / For 311G, 326G >



< 用于 326G / For 326G >

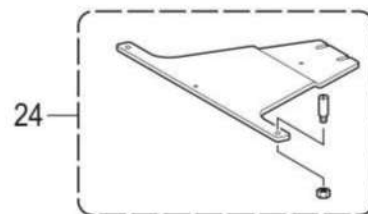
< 送料板: 下螺钉安装式

/ Feed plate: For bottom-tightening type >



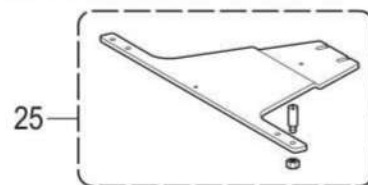
< 弹出式压脚 / Cassette clamp >

< 用于 311G / For 311G >



< 弹出式压脚 / Cassette clamp >

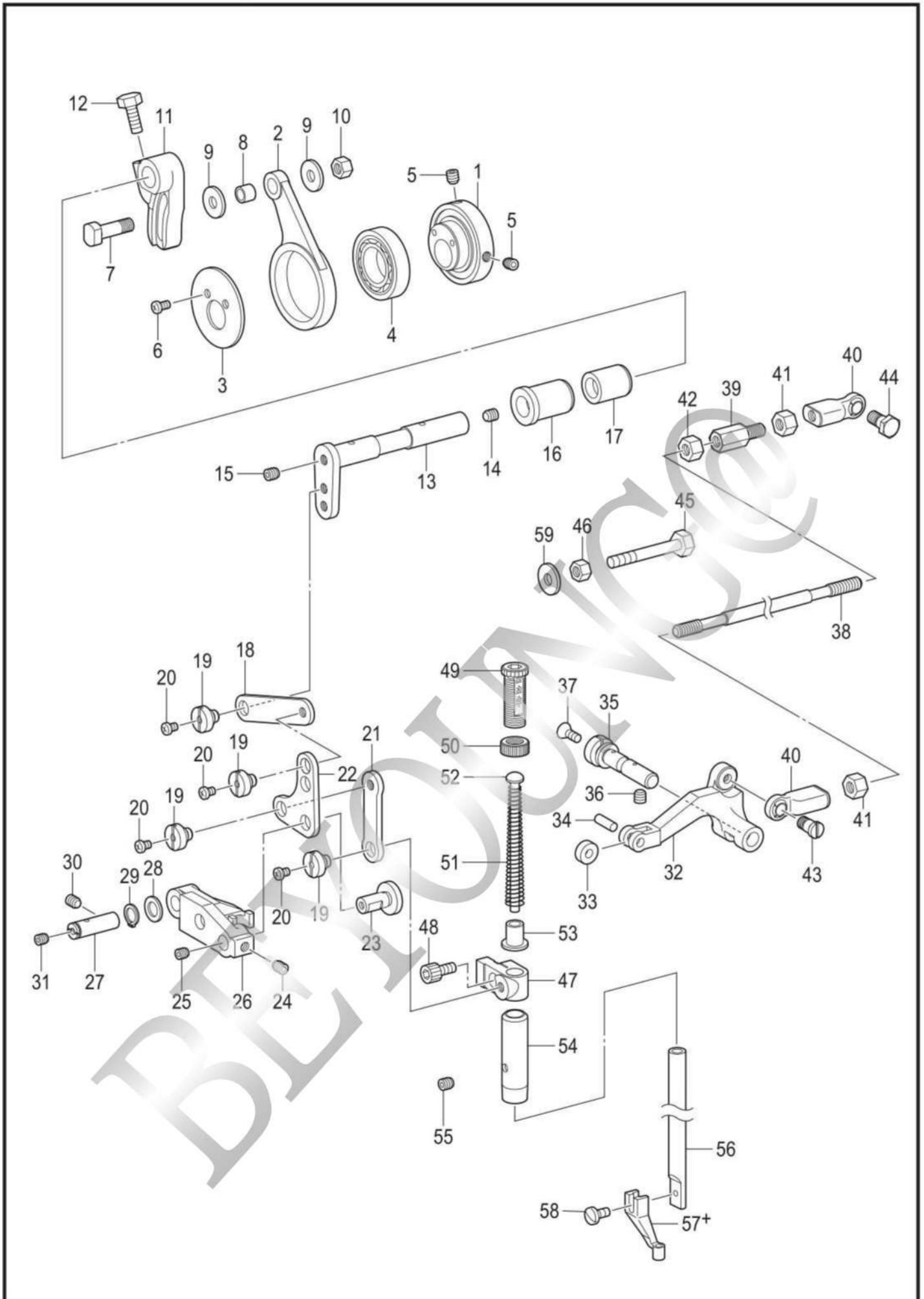
< 用于 326G / For 326G >



C10. 送料装置 (选配件) / Feed mechanism (Option parts)

参照号	零部件序号	数量	零部件名称	NAME OF PARTS	RM
1	SA7140001	1	<用于311G> <送料板: 上螺钉安装式> 311送料板变换复合件 A	<For 311G> <Feed plate: For top-tightening type> 311 FEED PLATE CHANGE A SET	
2	SA5291101	1	变换板	CHANGE PLATE	
3	018301436	2	螺栓 M3X14	BOLT SOCKET M3X14	
4	SA5829001	1	送料板盖 311-2	FEED PLATE COVER 311-2	
5	SA7139001	1	送料板盖 311-3	FEED PLATE COVER 311-3	
6	061400816	2	<送料板311E用的螺钉> 螺钉 M4X8	<Screw for 311E feed plate> SCREW FLAT M4X8	
7	S55479001	2	<送料板311F用的螺栓> 螺栓(带垫圈) M4X8	<Bolt for 311F feed plate> BOLT SOCKET (S/P WASHER) M4X8	
8	SA7141001	1	<用于311G> <送料板: 下螺钉安装式> 311送料板变换复合件 B	<For 311G> <Feed plate: For bottom-tightening type> 311 FEED PLATE CHANGE B SET	
9	SA6604001	1	送料板盖 311-1	FEED PLATE COVER 311-1	
10	SA7142001	1	<用于326G> <送料板: 下螺钉安装式> 326送料板变换复合件	<For 326G> <Feed plate: For bottom-tightening type> 326 FEED PLATE CHANGE SET	
11	SA6605001	1	送料板盖 326-1	FEED PLATE COVER 326-1	
12	SA5527001	1	<送料板311F/326F用的垫片> 送料板垫片 2	<Spacer for 311F/326F feed plate> FEED PLATE SPACER 2	
13	S23418001	2	螺钉 M4X5	SCREW M4X5	
14	SA6603001	1	送料板垫片	FEED PLATE SPACER	
15	S23418001	2	螺钉 M4X5	SCREW M4X5	
16	025040236	2	平垫圈 M4	WASHER PLAIN M 4	
17	SA6595001	1	<用于311G> <整体式> 压脚 311F	<For 311G> <For single type> WORK CLAMP 311F TYPE	
18	SA6599001	1	<左右分离式> 压脚 311F R	<For separate type> WORK CLAMP 311F R TYPE	
19	SA6600001	1	压脚 311F L	WORK CLAMP 311F L TYPE	
20	SA6598001	1	<用于326G> <整体式> 压脚 326F	<For 326G> <For single type> WORK CLAMP 326F TYPE	
21	SA6601001	1	<左右分离式> 压脚 326F R	<For separate type> WORK CLAMP 326F R TYPE	
22	SA6602001	1	压脚 326F L	WORK CLAMP 326F L TYPE	
23	SA4867201	1	<用于311G, 326G> 压板组件 326	<For 311G, 326G> WORK CLAMP 326 ASSY	
26	SA5415001	2	原点基准销	ORIGIN STANDARD PIN	
27	SA6640001	1	原点基准板	ORIGIN STANDARD PLATE	
24	SA7385001	1	<弹出式压脚> <用于311G> 弹出指示板组件 311G	<Cassette clamp> <For 311G> CASSETTE BOARD 311G ASSY	
25	SA7386001	1	<用于326G> 弹出指示板组件 326G	<For 326G> CASSETTE BOARD 326G ASSY	

D1. 抬压装置 / Work clamp lifter mechanism

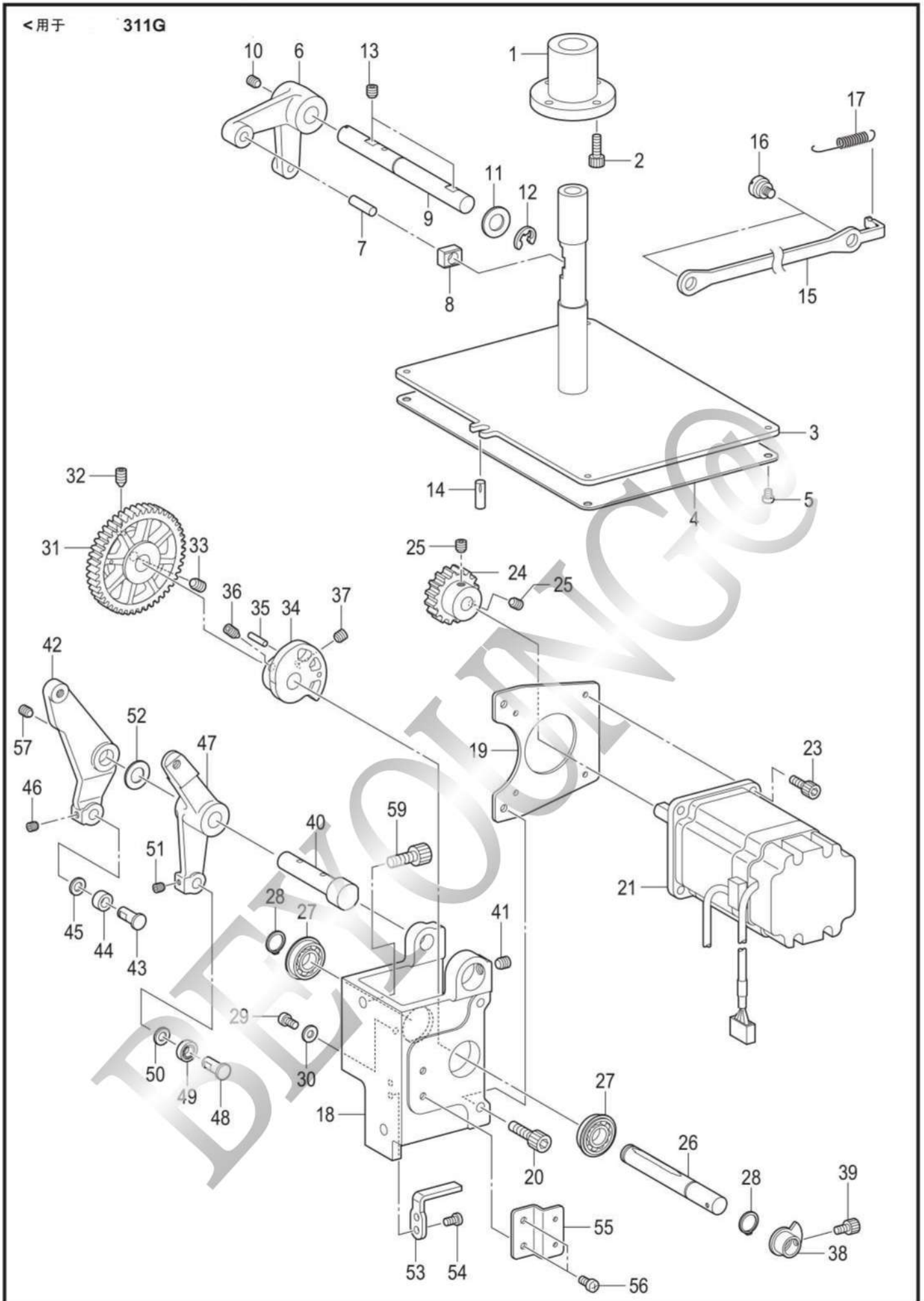


D1. 抬压装置 / Work clamp lifter mechanism

参照号	零部件序号	数量	零部件名称	NAME OF PARTS	RM
1	SA4759001	1	凸轮	STEPPING CLAMP CAM	
2	SA4760001	1	连杆	STEPPING CLAMP CON.ROD	
3	SA4763001	1	垫圈	WASHER STEPPING CLAMP CAM	
4	623033000	1	轴承 6805VV	BALL BEARING, 6805VV	
5	S23651001	2	固定螺钉 M6X6	SET SCREW, SOCKET (FT) M6X6	
6	062400616	2	螺钉 M4X6	SCREW PAN M4X6	
7	SA4761001	1	滚轮轴	ROLLER SHAFT STEPPING CLAMP	
8	SA4762001	1	滚轮	ROLLER STEPPING CLAMP	
9	SA4302001	2	垫圈	WASHER	
10	021060106	1	螺母 M6	NUT 1 M6	
11	SA4764001	1	压臂 R	STEPPING CLAMP ARM R	
12	017061213	1	螺栓 M6X12	BOLT M6X12	
13	SA4765001	1	压臂 F	STEPPING CLAMP ARM F	
14	012060636	1	螺钉 M6X6	SET SCREW SOCKET (FT) M6X6	
15	S23651001	1	固定螺钉 M6X6	SET SCREW, SOCKET (FT) M6X6	
16	SA4766001	1	压臂轴套 F	BUSH STEPPING CLAMP F	
17	SA4767001	1	压臂轴套 R	BUSH STEPPING CLAMP R	
18	SA4768001	1	间歇连杆 A	STEPPING CLAMP LINK A	
19	SA4769101	4	轴位螺钉 6	SHOULDER SCREW 6	
20	062300416	4	螺钉 M3X4	SCREW, PAN M3X4	
21	SA4770001	1	间歇连杆 B	STEPPING CLAMP LINK B	
22	SA4772001	1	间歇连杆	STEPPING CLAMP LINK	
23	SA4773001	1	连杆轴	SHAFT STEPPING CLAMP LINK	
24	012060636	1	螺钉 M6X6	SET SCREW SOCKET (FT) M6X6	
25	012400436	1	螺钉 M4X4	SET SCREW SOCKET (FT) M4X4	
26	SA4777001	1	联接板	STEPPING CLAMP LIFTER LINK	
27	SA4771001	1	联接板轴	SHAFT STEPPING CLAMP LIFT LINK	
28	SA2161001	1	垫圈	WASHER	
29	048080142	1	轴用挡圈 C8	RETAINING RING EXTERNAL C8	
30	012060636	1	螺钉 M6X6	SET SCREW SOCKET (FT) M6X6	
31	012400436	1	螺钉 M4X4	SET SCREW SOCKET (FT) M4X4	
32	SA4779101	1	间歇提升杆	STEPPING CLAMP LIFTER	
33	SA4781001	1	提升杆滑轮	ROLLER STEPPING CLAMP LIFTER	
34	141362001	1	滚轮	ROLLER	
35	SA4780001	1	提升杆轴	SHAFT STEPPING CLAMP LIFTER	
36	012060636	1	螺钉 M6X6	SET SCREW SOCKET (FT) M6X6	
37	S25310101	1	螺钉 M4	SCREW, FLAT M4	
38	SA4775101	1	提升连杆	STEPPING CLAMP LIFTER ROD	
39	SA4853001	1	提升连杆接头	JOINT STEPPING CLAMP LIFTER	
40	SA7927001	2	接头组件 R	BALL JOINT ASSY	
41	021060306	2	六角螺母 M6	NUT 3 M6	
42	SA3227001	1	螺母 M6	NUT (FT), M6	
43	SA4776001	1	轴位螺钉	SHOULDER SCREW	
44	S32462001	1	轴位螺钉 B M6	SHOULDER SCREW, B; M6	
45	017065002	1	螺栓 M6X50	BOLT M6X50	
46	021060106	1	螺母 M6	NUT 1 M6	
47	SA4778001	1	压紧杆接头	PRESSER BAR CLAMP	
48	018400836	1	螺栓 M4X8	BOLT SOCKET M4X8	
49	SA1174001	1	调节螺栓 M14	PRESSER ADJUSTING SCREW, M14	
50	SA1175001	1	调节螺母 M14	ADJUST SCREW NUT	
51	SA5300001	1	弹簧	PRESSER BAR SPRING	
52	S10112001	1	弹簧导向	PRESSER BAR SPRING GUIDE	
53	SA5301001	1	弹簧管套	COLLAR PRESSER BAR SPRING	
54	SA2195001	1	压紧杆轴套	PRESSER BAR BUSH	
55	012060536	1	螺钉 M6X5	SET SCREW SOCKET (FT) M6X5	
56	111466101	1	压紧杆	PRESSER BAR	
57+	* P. 91-92	1	压脚	WORK CLAMP	
58	S13399001	1	螺钉 SM3.57X12	SCREW, SM3.57X12	
59	151439102	1	垫圈	WASHER	

D2. 抬压装置 / Work clamp lifter mechanism

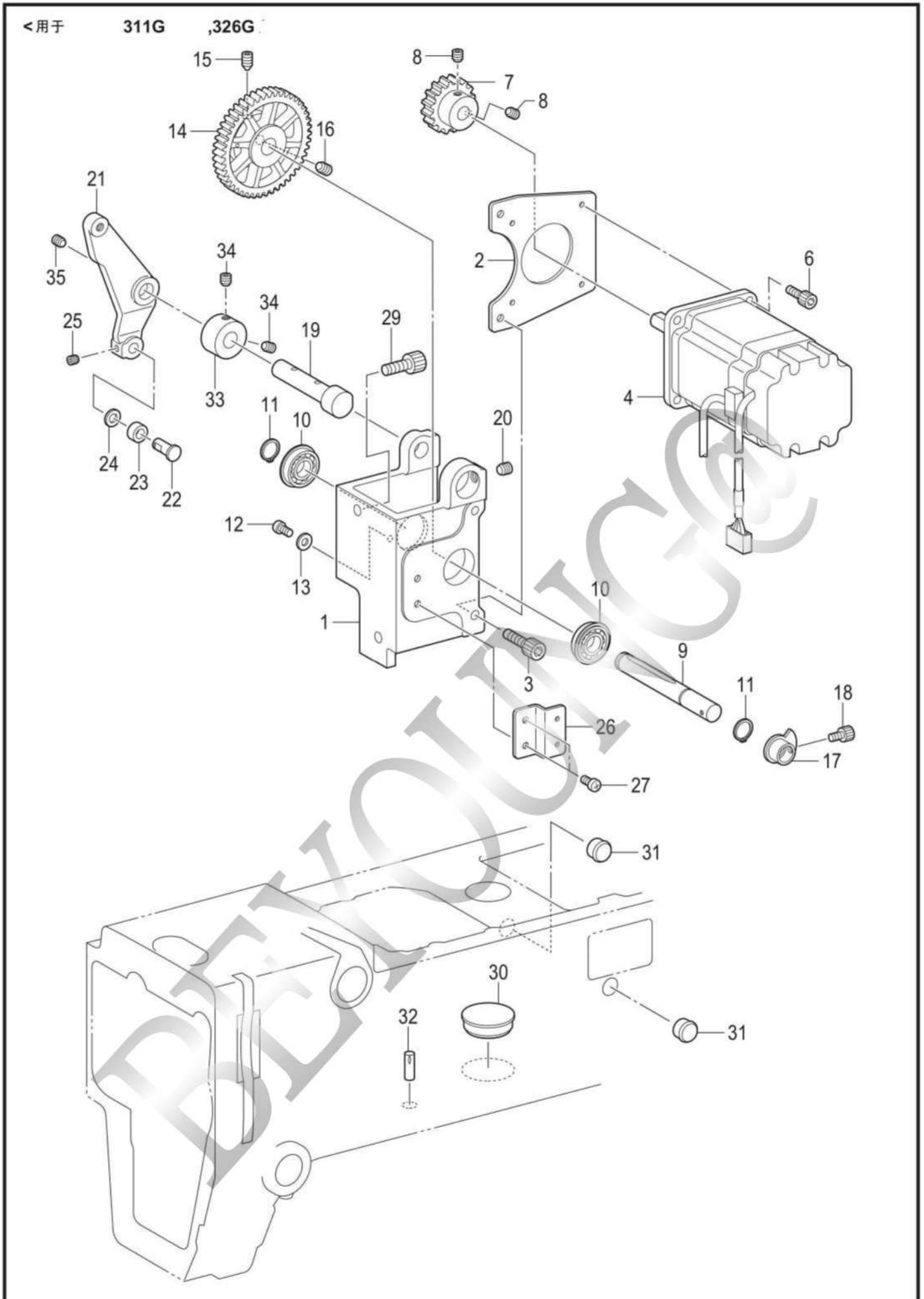
<用于 311G



D2. 抬压装置 / Work clamp lifter mechanism

参照号	零部件序号	数量	零部件名称	NAME OF PARTS	RM
			<用于 311G	<For 311G	
1	SA4729001	1	滑杆轴套	SLIDE BUSH	
2	018401036	4	螺栓 M4X10	BOLT SOCKET M4X10	
3	SA4731001	1	压脚提升板组件	WORK CLAMP LIFTER PLATE ASSY	
4	SA4734001	1	底座板 E	SEAT E	
5	062400416	4	螺钉 M4X4	SCREW, PAN M4X4	
6	SA4736001	1	压脚提升杆	WORK CLAMP LIFTER LEVER	
7	152744001	1	销	PIN	
8	102630001	1	针杆接头滑块	NEEDLE BAR GUIDE SLIDE BLOCK	
9	SA4737001	1	提升杆轴 B	WORK CLAMP LEVER SHAFT B	
10	012060636	1	螺钉 M6X6	SET SCREW SOCKET (FT) M6X6	
11	S20356001	1	平垫圈 10	WASHER, PLAIN 10	
12	048080342	1	挡圈 E8	RETAINING RING E8	
13	012060636	2	螺钉 M6X6	SET SCREW SOCKET (FT) M6X6	
14	118208001	1	带槽销	DOWEL PIN	
15	SA4738001	1	压脚提升杆	WORK CLAMP LIFTER LINK	
16	SA3438001	2	轴位螺钉	LINK SHOULDER SCREW	
17	SA4739001	1	弹簧	WORK CLAMP SPRING	
18	SA4741201	1	马达座	MOTOR BRACKET	
19	SA4742101	1	压脚马达板	WORK CLAMP MOTOR PLATE	
20	018501036	2	螺栓 M5X10	BOLT SOCKET M5X10	
21	SA4826501	1	脉冲马达组件 P	PULSE MOTOR ASSY P	
23	018401036	4	螺栓 M4X10	BOLT SOCKET M4X10	
24	SA4743001	1	驱动齿轮	WORK CLAMP DRIVING GEAR	
25	012060636	2	螺钉 M6X6	SET SCREW SOCKET (FT) M6X6	
26	SA4744001	1	压脚支点轴	WORK CLAMP FULCRUM SHAFT	
27	SA4647001	2	球轴承 6900ZZNR	BALL BEARING 6900ZZNR	
28	048100142	2	轴用挡圈 C10	RETAINING RING EXTERNAL C10	
29	062400616	1	螺钉 M4X6	SCREW PAN M4X6	
30	025040236	1	平垫圈 M4	WASHER PLAIN M 4	
31	SA4745001	1	凸轮齿轮	WORK CLAMP CAM GEAR	
32	016061031	1	螺钉 M6X10	SET SCREW SOCKET (CN) M6X10	
33	012060636	1	螺钉 M6X6	SET SCREW SOCKET (FT) M6X6	
34	SA4746001	1	压脚凸轮	WORK CLAMP CAM	
35	S35079000	1	滚针 3X11.8	NEEDLE ROLLER, 3X11.8	
36	016061031	1	螺钉 M6X10	SET SCREW SOCKET (CN) M6X10	
37	012060636	1	螺钉 M6X6	SET SCREW SOCKET (FT) M6X6	
38	SA4747001	1	压脚原点挡块	WORK CLAMP H-POSITION DOG	
39	018400636	1	螺栓 M4X6	BOLT SOCKET M4X6	
40	SA4748101	1	压脚柄轴	WORK CLAMP LEVER SHAFT	
41	012060636	1	螺钉 M6X6	SET SCREW SOCKET (FT) M6X6	
42	SA6210001	1	间歇驱动杆	STEPPING W-CLAMP DRIVING LEVER	
43	SA3441001	1	抬压滚轮轴	W-CLAMP LIFTER ROLLER SHAFT	
44	070696800	1	轴承 R-696ZZ	BALL BEARING RADIAL 696ZZ	
45	109763022	1	垫圈	WASHER	
46	012500536	1	螺钉 M5X5	SET SCREW SOCKET (FT) M5X5	
47	SA4750001	1	压脚驱动杆	WORK CLAMP DRIVING SHAFT	
48	SA3441001	1	抬压滚轮轴	W-CLAMP LIFTER ROLLER SHAFT	
49	070696800	1	轴承 R-696ZZ	BALL BEARING RADIAL 696ZZ	
50	109763022	1	垫圈	WASHER	
51	012500536	1	螺钉 M5X5	SET SCREW SOCKET (FT) M5X5	
52	S20356001	1	平垫圈 10	WASHER, PLAIN 10	
53	SA4752001	1	凸轮定位	WORK CLAMP CAM STOPPER	
54	062400616	2	螺钉 M4X6	SCREW PAN M4X6	
55	SA4753001	1	压脚传感器板	WORK CLAMP SENSOR PLATE	
56	062400616	2	螺钉 M4X6	SCREW PAN M4X6	
57	012060636	1	螺钉 M6X6	SET SCREW SOCKET (FT) M6X6	
59	018061236	2	螺栓 M6X12	BOLT SOCKET M6X12	

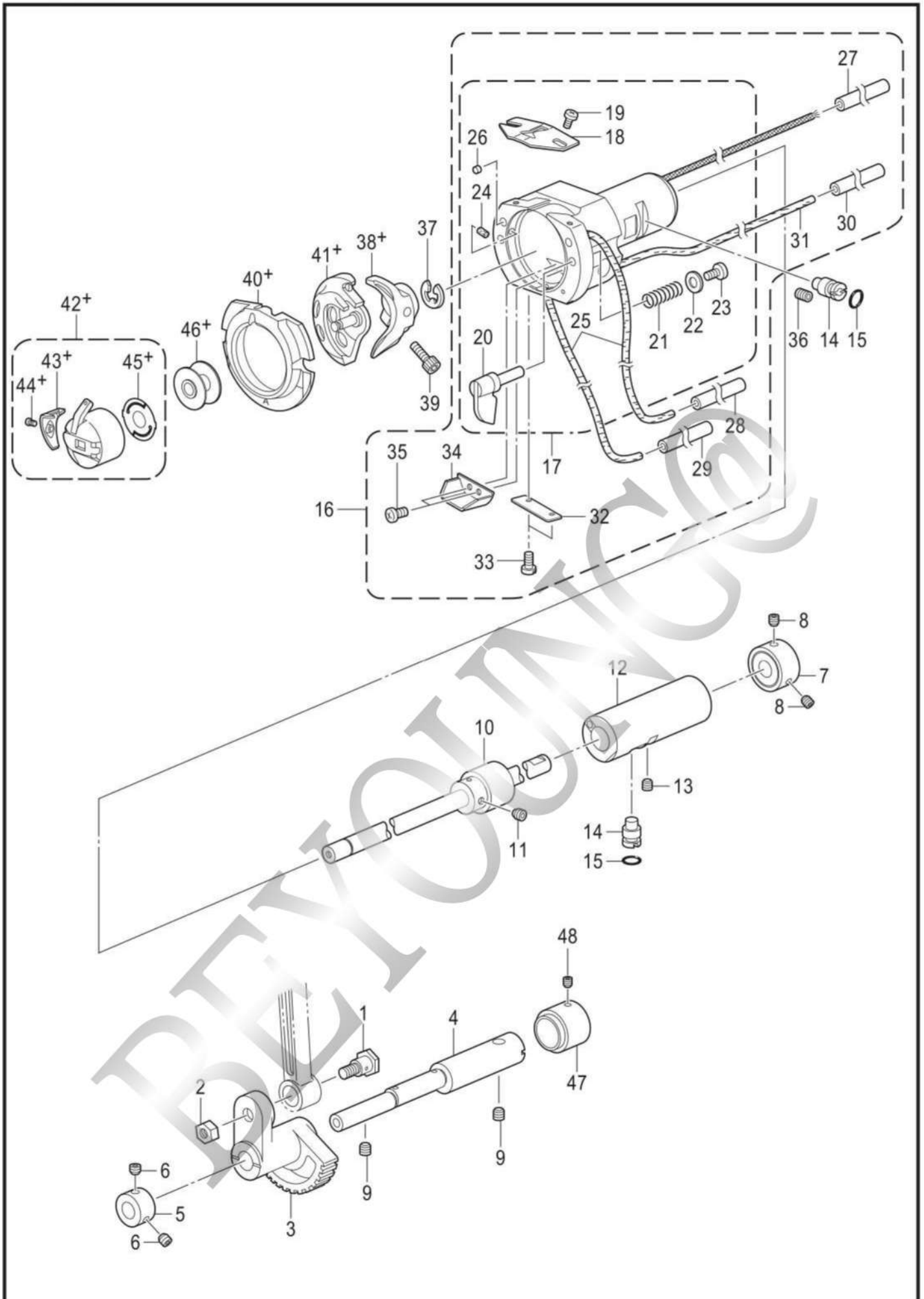
D3. 抬压装置 / Work clamp lifter mechanism



D3. 抬压装置 / Work clamp lifter mechanism

参照号	零部件序号	数量	零部件名称	NAME OF PARTS	RM
			<用于 311G, 326G>	<For 311G, 326G>	
1	SA4741201	1	马达座	MOTOR BRACKET	
2	SA4742101	1	压脚马达板	WORK CLAMP MOTOR PLATE	
3	018501036	2	螺栓 M5X10	BOLT SOCKET M5X10	
4	SA4826501	1	脉冲马达组件 P	PULSE MOTOR ASSY P	
6	018401036	4	螺栓 M4X10	BOLT SOCKET M4X10	
7	SA4743001	1	驱动齿轮	WORK CLAMP DRIVING GEAR	
8	012060636	2	螺钉 M6X6	SET SCREW SOCKET (FT) M6X6	
9	SA4744001	1	压脚支点轴	WORK CLAMP FULCRUM SHAFT	
10	SA4647001	2	球轴承 6900ZZNR	BALL BEARING 6900ZZNR	
11	048100142	2	轴用挡圈 C10	RETAINING RING EXTERNAL C10	
12	062400616	1	螺钉 M4X6	SCREW PAN M4X6	
13	025040236	1	平垫圈 M4	WASHER PLAIN M 4	
14	SA4745001	1	凸轮齿轮	WORK CLAMP CAM GEAR	
15	016061031	1	螺钉 M6X10	SET SCREW SOCKET (CN) M6X10	
16	012060636	1	螺钉 M6X6	SET SCREW SOCKET (FT) M6X6	
17	SA4747001	1	压脚原点挡块	WORK CLAMP H-POSITION DOG	
18	018400636	1	螺栓 M4X6	BOLT SOCKET M4X6	
19	SA4748101	1	压脚柄轴	WORK CLAMP LEVER SHAFT	
20	012060636	1	螺钉 M6X6	SET SCREW SOCKET (FT) M6X6	
21	SA6210001	1	间歇驱动杆	STEPPING W-CLAMP DRIVING LEVER	
22	SA3441001	1	抬压滚轮轴	W-CLAMP LIFTER ROLLER SHAFT	
23	070696800	1	轴承 R-696ZZ	BALL BEARING RADIAL 696ZZ	
24	109763022	1	垫圈	WASHER	
25	012500536	1	螺钉 M5X5	SET SCREW SOCKET (FT) M5X5	
26	SA4753001	1	压脚传感器板	WORK CLAMP SENSOR PLATE	
27	062400616	2	螺钉 M4X6	SCREW PAN M4X6	
29	018061236	2	螺栓 M6X12	BOLT SOCKET M6X12	
30	159163000	1	橡皮塞 29	RUBBER CAP 29	
31	104821001	2	橡皮塞 10.5	RUBBER CAP, 10.5	
32	118550001	1	带槽销	PIN DOWEL	
33	SA4757101	1	紧圈	SET SCREW COLLAR	
34	012060636	2	螺钉 M6X6	SET SCREW SOCKET (FT) M6X6	
35	012060636	1	螺钉 M6X6	SET SCREW SOCKET (FT) M6X6	

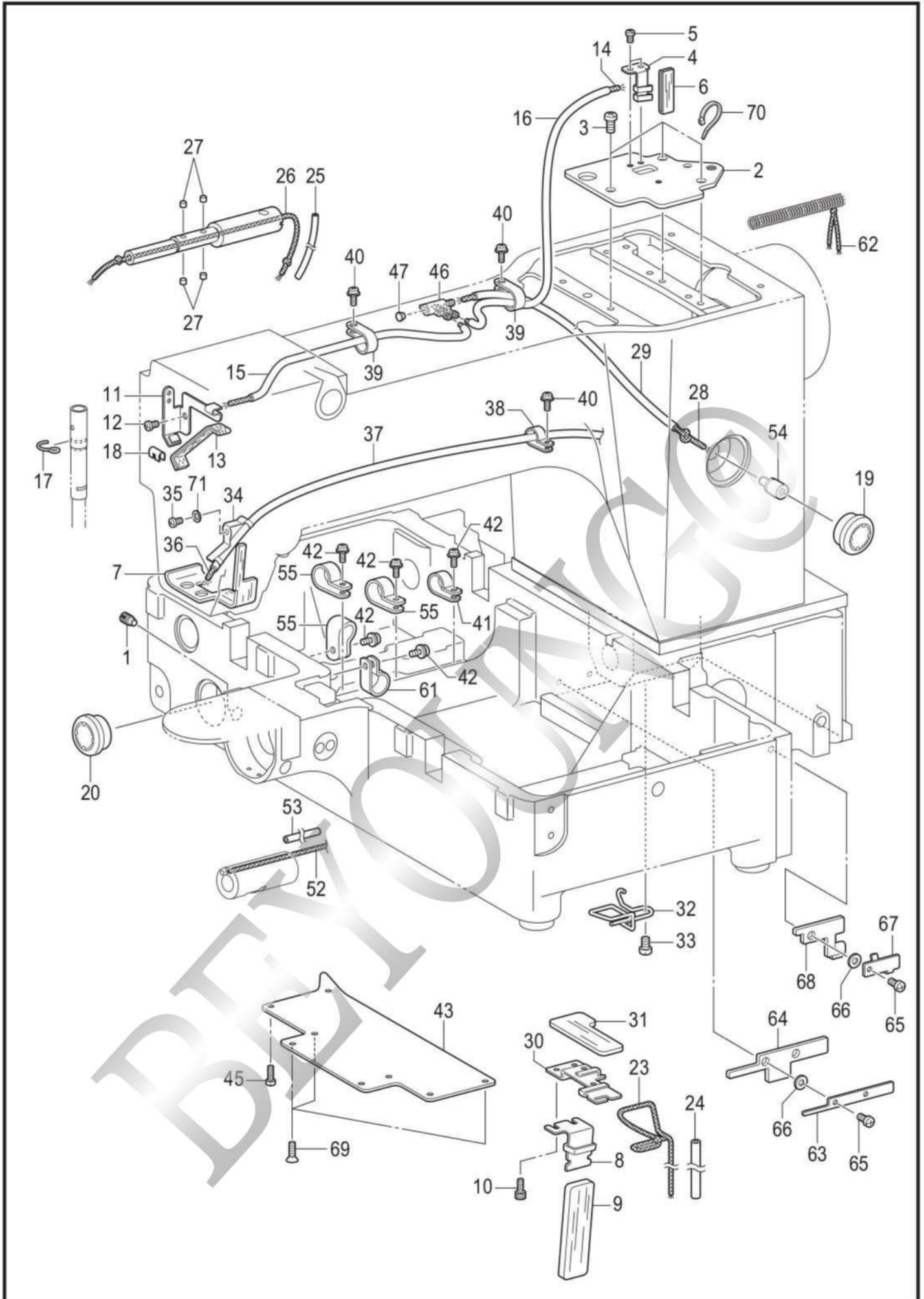
E. 下轴装置 / Lower shaft mechanism



E. 下轴装置 / Lower shaft mechanism

参照号	零部件序号	数量	零部件名称	NAME OF PARTS	RM
1	SA3226001	1	轴位螺钉	SHOULDER SCREW	
2	SA3227001	1	螺母 M6	NUT (FT), M6	
3	SA3228101	1	摆动齿轮	ROCK GEAR	
4	SA4782001	1	摆动齿轮轴	ROCK GEAR SHAFT	
5	SA3231001	1	紧圈 B	SET SCREW COLLAR, B	
6	012060536	2	螺钉 M6X5	SET SCREW, SOCKET (FT) M6X5	
7	SA3233101	1	紧圈	SET SCREW COLLAR	
8	S23651001	2	固定螺钉 M6X6	SET SCREW, SOCKET (FT) M6X6	
9	012060636	2	螺钉 M6X6	SET SCREW SOCKET (FT) M6X6	
10	SA4783101	1	下轴组件	LOWER SHAFT ASSY	
11	012500536	1	螺钉 M5X5	SET SCREW SOCKET (FT) M5X5	
12	SA6216101	1	下轴轴套	LOWER SHAFT BUSH	
13	012060636	1	螺钉 M6X6	SET SCREW SOCKET (FT) M6X6	
14	SA3238101	2	旋梭调节轴	ADJUSTING STUD	
15	081003670	2	O形圈 PW3	O RING PW3	
16	SA7575101	1	梭床套件 G	SHUTTLE RACE BASE SET G	
17	SA6220101	1	梭床组件 G	SHUTTLE RACE BASE ASSY G	
18	S02429201	1	旋梭线导向	SHUTTLE RACE THREAD GUIDE	
19	SA4199001	2	螺钉 M3X4	SCREW M3X4	
20	SA3241001	2	大旋梭固定柄	S-RACE BASE SETTING CLAW	
21	152684101	2	弹簧	COMPRESSION SPRING	
22	402887001	2	垫圈 3.2	WASHER, 3.2	
23	062300616	2	螺钉 M3X6	SCREW PAN M3X6	
24	SA9396001	2	油毡	FELT	
25	S59886001	2	油毡 L=360	FELT, L=360	
26	SA9397001	2	橡皮塞5.5	RUBBER CAP 5.5	
27	S07459100	1	油管 L=240	OIL TUBE, L=240	
28	S50529000	1	油管 L=320	OIL TUBE, L=320	
29	S48189000	1	油管 L=280	OIL TUBE, L=280	
30	SA6263001	1	油管 L=320	OIL TUBE L=310	
31	SA6260001	1	油毡组件	FELT ASSY	
32	SA3242001	1	油毡支架	FELT HOLDER	
33	SA9191001	2	螺钉 M3X5.5	SCREW M3X5.5	
34	SA3274101	1	油毡支架	FELT HOLDER	
35	S47307001	2	螺钉 M3X4	SCREW, M3X4	
36	012060636	1	螺钉 M6X6	SET SCREW SOCKET (FT) M6X6	
37	048070342	1	挡圈 E7	RETAINING RING E7	
38+	* P. 90	1	梭托	DRIVER	
39	018501232	1	螺栓 M5X12	BOLT SOCKET M5X12	
40+	* P. 90	1	外旋梭	SHUTTLE RACE BASE	
41+	* P. 90	1	中旋梭	SHUTTLE HOOK	
42+	* P. 90	1	梭芯套组件	BOBBIN CASE ASSY	
43+	* P. 90	1	夹线簧	TENSION SPRING	
44+	* P. 90	1	螺钉	BOBBIN CASE SPRING SCREW	
45+	* P. 90	1	防空转弹簧	ANTI-SPIN SPRING	
46+	* P. 90	1	梭芯	BOBBIN	
47	SA3283101	1	紧圈 R	SET SCREW COLLAR, R	
48	012500536	1	螺钉 M5X5	SET SCREW SOCKET (FT) M5X5	

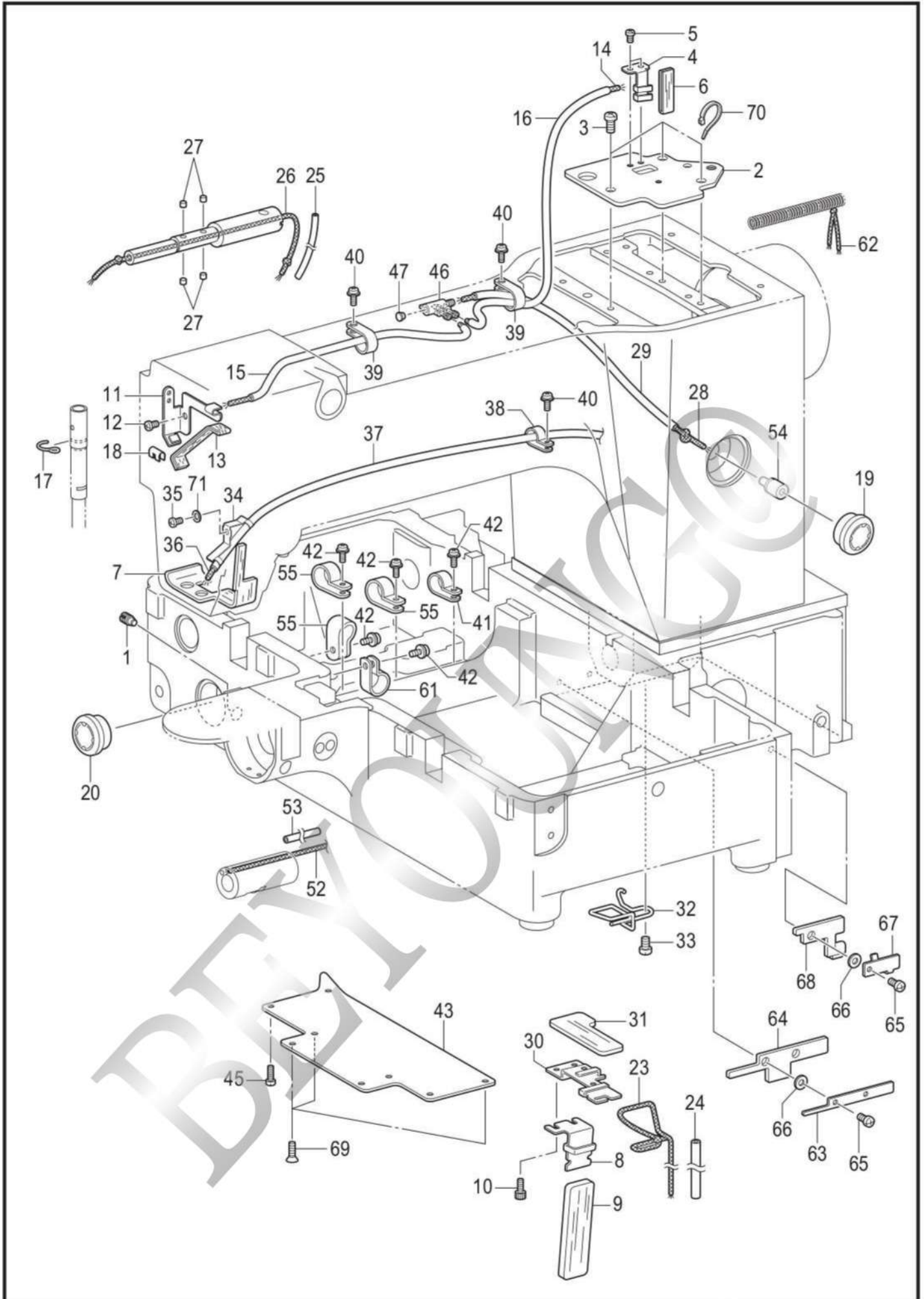
F. 供油润滑装置 / Lubrication



F. 供油润滑装置 / Lubrication

参照号	零部件序号	数量	零部件名称	NAME OF PARTS	RM
1	SA3244001	1	螺钉	SET SCREW	
2	SA4785101	1	曲柄盖	CRANK COVER	
70	S04159000	1	线夹1M	BAND 1M	
3	062061016	3	螺钉 M6X10	SCREW PAN M6X10	
4	SA4787001	1	曲柄供油板	CRANK WICK PLATE	
5	062400616	2	螺钉 M4X6	SCREW PAN M4X6	
6	SA5294001	1	毡油线 L=90	FLAT WICK L=90	
7	SA4786101	1	油毡	FELT	
8	SA3503201	1	下轴给油支架	LOWER SHAFT WICK SUPPORT	
9	SA3504201	1	下轴齿轮油毡	LOWER SHAFT GEAR FELT	
10	018400636	2	螺栓 M4X6	BOLT SOCKET M4X6	
11	SA4788001	1	供油支架	WICK SUPPORT	
12	062400616	1	螺钉 M4X6	SCREW PAN M4X6	
13	SA6593001	1	毡油线 L=180	FLAT WICK, L=180	
14	SA6580001	1	油线 L=780	WICK L=780	
15	S07459100	1	油管 L=240	OIL TUBE, L=240	
16	SA6576001	1	油管 L=210	OIL TUBE, L=210	
17	SA6087001	1	油线挂钩	WICK SUPPORT	
18	104567101	1	油线支架	WICK SUPPORT	
19	S49992000	1	油视窗	OIL GAUGE WINDOW	
20	152948001	1	油视窗	OIL GAUGE WINDOW	
23	SA5292101	1	油线 L=680	WICK L=680	
24	S53175000	1	油管 L=450	OIL TUBE, L=450	
25	S46906000	1	油管	OIL TUBE	
26	SA6578001	1	油线 6X6 L=300	WICK 6X6 L=300	
27	S09043000	4	滤油毡 (L=5)	FELT	
28	S49982000	1	油线 4X4 L=400	WICK, 4X4 L=400	
29	S48189000	1	油管 L=280	OIL TUBE, L=280	
30	SA3246001	1	齿轮供油支架	GEAR WICK SUPPORT	
31	SA3280001	1	油毡	GEAR FELT	
32	SA4789101	1	油线夹 B	LOWER SHAFT WICK SUPPORT B	
33	062060816	1	螺钉 M6X8	SCREW PAN M6X8	
34	145547001	1	回油管管托	TUBE HOLDER	
35	062400616	1	螺钉 M4X6	SCREW PAN M4X6	
71	026040136	1	平垫圈 S4	WASHER PLAIN S 4	
36	S49957000	1	油线 4X4 L=700	WICK, 4X4 L=700	
37	SA4791101	1	油管 L=620	OIL TUBE L=620	
38	149547000	1	压线板	CORD HOLDER, 4N	
39	525567000	2	电线夹 #8	CORD HOLDER, #8	
40	0A5401006	3	螺钉(带垫圈) M4X10DB	SCREW PAN (S/P WASHER) M4X10	
41	525664000	4	电线夹 #6	CORD HOLDER, #6	
42	0A5401006	5	螺钉(带垫圈) M4X10DB	SCREW PAN (S/P WASHER) M4X10	
43	SA6211001	1	油盖	OIL COVER	
45	062401016	5	螺钉 M4X10	SCREW PAN M4X10	
46	S38265000	1	管接头 L	TERMINAL, L	
47	142274101	1	橡皮塞 4.2	RUBBER CAP, 4.2	
52	S34012000	1	油线 4X4 L=240	WICK, 4X4 L=240	
53	SA6579001	1	油管 L=110	OIL TUBE, L=110	
54	SA5339101	1	油嘴管	OIL FEEDING PIPE	
55	525567000	3	电线夹 #8	CORD HOLDER, #8	

F. 供油润滑装置 / Lubrication

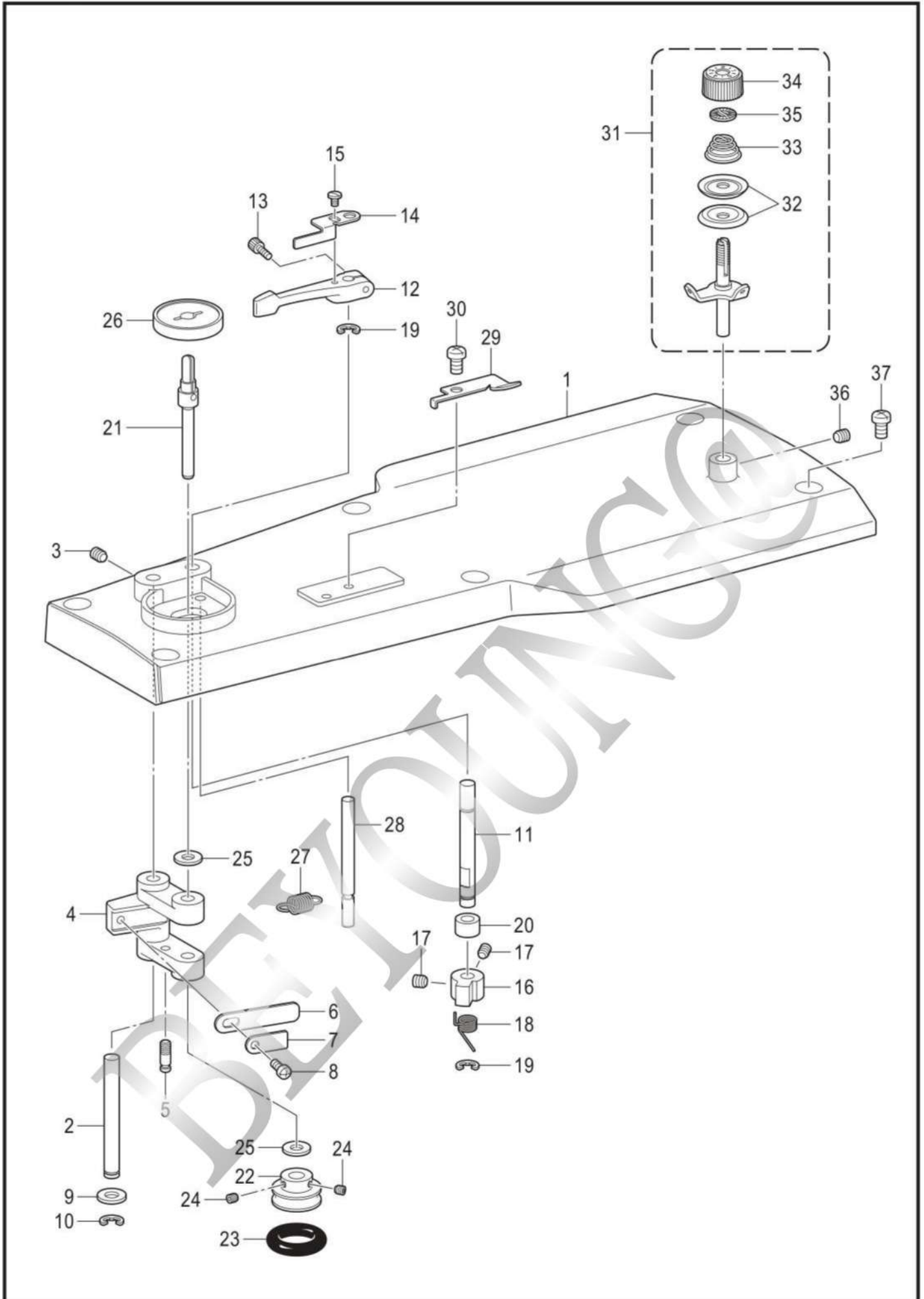


F. 供油润滑装置 / Lubrication

参照号	零部件序号	数量	零部件名称	NAME OF PARTS	RM
61	552907000	1	电线夹 #10	CORD HOLDER, #10	
62	SA6572001	1	油线 L=140	WICK L=140	
63	SA6581001	1	油毡压板 L	WICK SUPPORT L	
64	SA6583001	1	底板油毡 L	FELT BED L	
65	062400616	3	螺钉 M4X6	SCREW PAN M4X6	
66	028040246	3	弹簧垫圈 2-4	WASHER SPRING 2-4	
67	SA6582001	1	油毡压板 R	WICK SUPPORT R	
68	SA6584001	1	底板油毡 R	FELT BED R	
69	061400816	3	螺钉 M4X8	SCREW FLAT M4X8	

BEYOUNG@

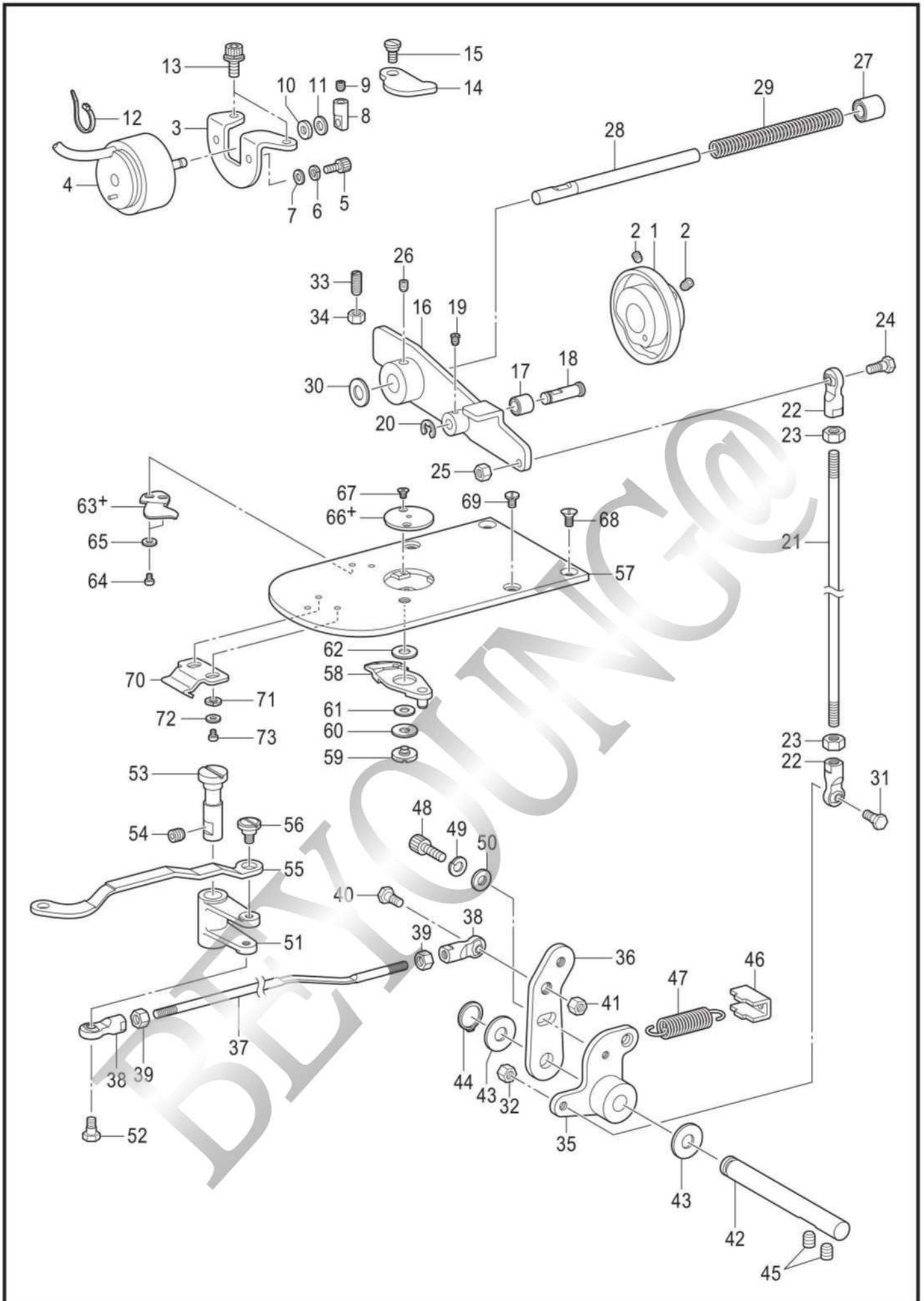
H. 绕线装置 / Bobbin winder mechanism



H. 绕线装置 / Bobbin winder mechanism

参照号	零部件序号	数量	零部件名称	NAME OF PARTS	RM
1	SA4795001	1	顶盖	TOP COVER	
2	SA3290001	1	卷线手柄轴	SHAFT, BW-LEVER	
3	012500536	1	螺钉 M5X5	SET SCREW SOCKET (FT) M5X5	
4	SA3291001	1	绕线手柄	BOBBIN WINDER LEVER	
5	SA4171001	1	弹簧挂钩	SPRING HOOK	
6	152936001	1	板弹簧	PLATE SPRING	
7	152937001	1	垫圈	WASHER	
8	062350616	1	螺钉 M3.5X6	SCREW PAN M3.5X6	
9	159486001	1	垫圈	WASHER	
10	048050342	1	挡圈 E5	RETAINING RING E5	
11	SA3293001	1	卷线卡爪轴	STUD, B-WINDER CLAW	
12	SA1984001	1	梭芯压臂柄	BOBBIN PRESSER ARM	
13	018401236	1	螺栓 M4X12	BOLT SOCKET M4X12	
14	SA3294001	1	梭芯压杆	BOBBIN PRESSER	
15	S23418002	1	螺钉 M4X5	SCREW, M4X5	
16	SA3295001	1	卷线卡爪	CLAW, B-WINDER	
17	012400436	2	螺钉 M4X4	SET SCREW SOCKET (FT) M4X4	
18	S10438001	1	弹簧	SPRING, TWIST	
19	048050342	2	挡圈 E5	RETAINING RING E5	
20	SA4796001	1	垫管	SPACER COLLAR	
21	SA3296001	1	绕线轴	BOBBIN WINDER SHAFT	
22	SA3297001	1	卷线器	WHEEL, B-WINDER	
23	120448001	1	橡皮圈	BOBBIN WINDER RUBBER BAND	
24	012400436	2	螺钉 M4X4	SET SCREW SOCKET (FT) M4X4	
25	159486001	2	垫圈	WASHER	
26	SA1988001	1	梭芯座	BOBBIN SUPPORT	
27	S10268001	1	拉簧	SPRING	
28	SA3298001	1	止动轴	STOPPER SHAFT, B-WINDER	
29	SA3299001	1	切刀	KNIFE	
30	062500616	1	螺钉 M5X6	SCREW PAN M5X6	
31	SA1994101	1	绕线器夹线组件	BOBBIN WINDER TENSION ASSY	
32	145446002	2	夹线盘	DISC, TENSION	
33	100401022	1	夹线弹簧	TENSION SPRING	
34	S31032001	1	压线螺母	TENSION NUT	
35	S12441001	1	止动垫圈	WASHER	
36	012500536	1	螺钉 M5X5	SET SCREW SOCKET (FT) M5X5	
37	062061016	6	螺钉 M6X10	SCREW PAN M6X10	

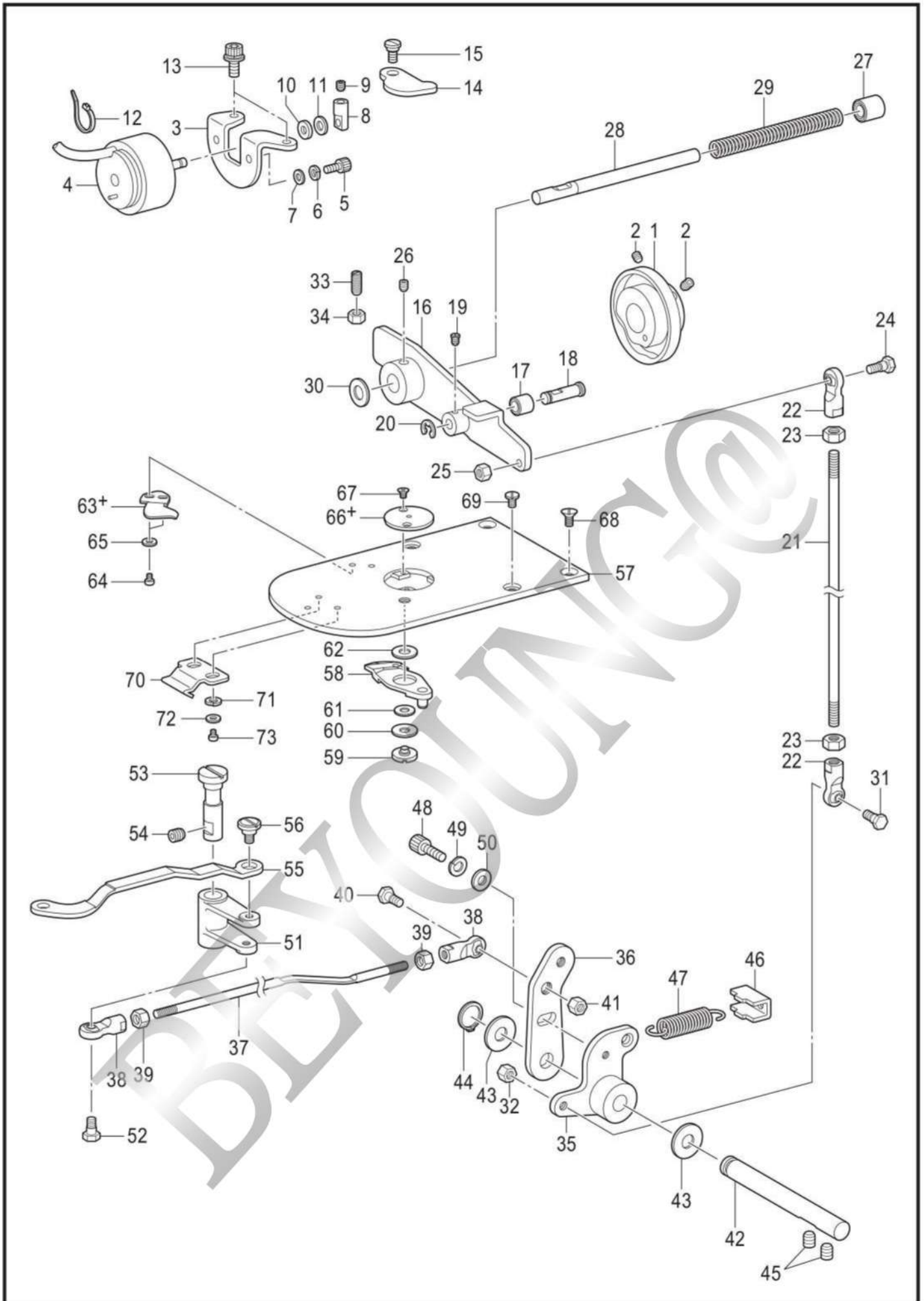
J. 切线装置 / Thread trimmer mechanism



J. 切线装置 / Thread trimmer mechanism

参照号	零部件序号	数量	零部件名称	NAME OF PARTS	RM
1	SA3301101	1	切线凸轮	THREAD TRIMMER CAM	
2	S23651001	2	固定螺钉 M6X6	SET SCREW, SOCKET (FT) M6X6	
3	SA4798001	1	电磁铁安装板	SETTING PLATE SOLENOID	
4	SA5135101	1	切线电磁铁	THREAD TRIMMER SOLENOID	
5	017400802	2	螺栓 M4X8	BOLT M4X8	
6	028040246	2	弹簧垫圈 2-4	WASHER SPRING 2-4	
7	026040236	2	平垫圈 M4	WASHER PLAIN M 4	
8	SA3307001	1	电磁铁杆	SOLENOID LEVER	
9	012400436	1	螺钉 M4X4	SET SCREW SOCKET (FT) M4X4	
10	154599000	1	电磁铁缓冲垫圈	SOLENOID CUSHION	
11	S02652001	1	垫圈	WASHER	
12	S04159000	1	线夹1M	BAND, 1M	
13	S55484002	2	螺栓(带垫圈) M5X10	BOLT, SOCKET (S/P WASHER) M5X10	
14	SA4799001	1	驱动压杆	PUSHING LEVER D-LEVER	
15	SA3306001	1	轴位螺钉 7-3	SHOULDER SCREW, 7-3	
16	SA3309201	1	切线驱动杆	TR-DRIVING LEVER	
17	SA3310001	1	切线滚轮	COLLAR, TR-TRIMMER	
18	SA3311001	1	切线滚轮轴	COLLAR SHAFT	
19	S46903001	1	螺钉M4X5	SET SCREW, M4X5	
20	048040342	1	挡圈 E4	RETAINING RING E4	
21	SA3315001	1	切线杆 V	THREAD TRIMMER ROD V	
22	S32465101	2	接头组件	BALL JOINT ASSY	
23	021060106	2	螺母 M6	NUT 1 M6	
24	S32462001	1	轴位螺钉 B M6	SHOULDER SCREW, B; M6	
25	021060306	1	六角螺母 M6	NUT 3 M6	
26	S23651001	1	固定螺钉 M6X6	SET SCREW, SOCKET (FT) M6X6	
27	231071001	1	轴套 8X15	BUSH, 8X15	
28	SA3312201	1	驱动杆导向轴	GUIDE SHAFT	
29	SA3313101	1	弹簧	SPRING, COMPRESSION	
30	154596000	1	减震垫圈	CUSHION	
31	S32462001	1	轴位螺钉 B M6	SHOULDER SCREW, B; M6	
32	021060306	1	六角螺母 M6	NUT 3 M6	
33	S25475101	1	螺钉 M6X19	SET SCREW, M6X19	
34	021060106	1	螺母 M6	NUT 1 M6	
35	SA4546001	1	切线杠杆 V	THREAD TRIMMER LEVER V	
36	SA3317101	1	切线杠杆 H	THREAD TRIMMER LEVER H	
37	SA4801101	1	切线杆 H	THREAD TRIMMER ROD H	
38	S32465101	2	接头组件	BALL JOINT ASSY	
39	021060106	2	螺母 M6	NUT 1 M6	
40	S32462001	1	轴位螺钉 B M6	SHOULDER SCREW, B; M6	
41	021060306	1	六角螺母 M6	NUT 3 M6	
42	SA3319101	1	切线杠杆轴	SHAFT, TR-TRIMMER LEVER	
43	SA4545001	2	垫片	SPACER	
44	048080142	1	轴用挡圈 C8	RETAINING RING EXTERNAL C8	
45	012060636	2	螺钉 M6X6	SET SCREW SOCKET (FT) M6X6	
46	SA3320101	1	弹簧挂钩	SPRING HOOK	
47	SA3321001	1	切线复位弹簧	SPRING, EXTENSION	
48	018501236	1	螺栓 M5X12	BOLT SOCKET M5X12	
49	028050246	1	弹簧垫圈 2-5	WASHER SPRING 2-5	
50	146354002	1	垫圈 5	WASHER, PLAIN 5	
51	SA3324001	1	动刀曲柄	MOVING KNIFE LEVER	
52	SA3325101	1	轴位螺钉 6.35-6	SHOULDER SCREW 6.35-6	
53	SA4802001	1	动刀杆轴	SHAFT MOVABLE KNIFE LEVER	
54	012060636	1	螺钉 M6X6	SET SCREW SOCKET (FT) M6X6	
55	SA3327401	1	动刀连杆	M-KNIFE CONNECTING PLATE	
56	SA4354001	1	轴位螺钉 6-1.8	SHOULDER SCREW, 6-1.8	

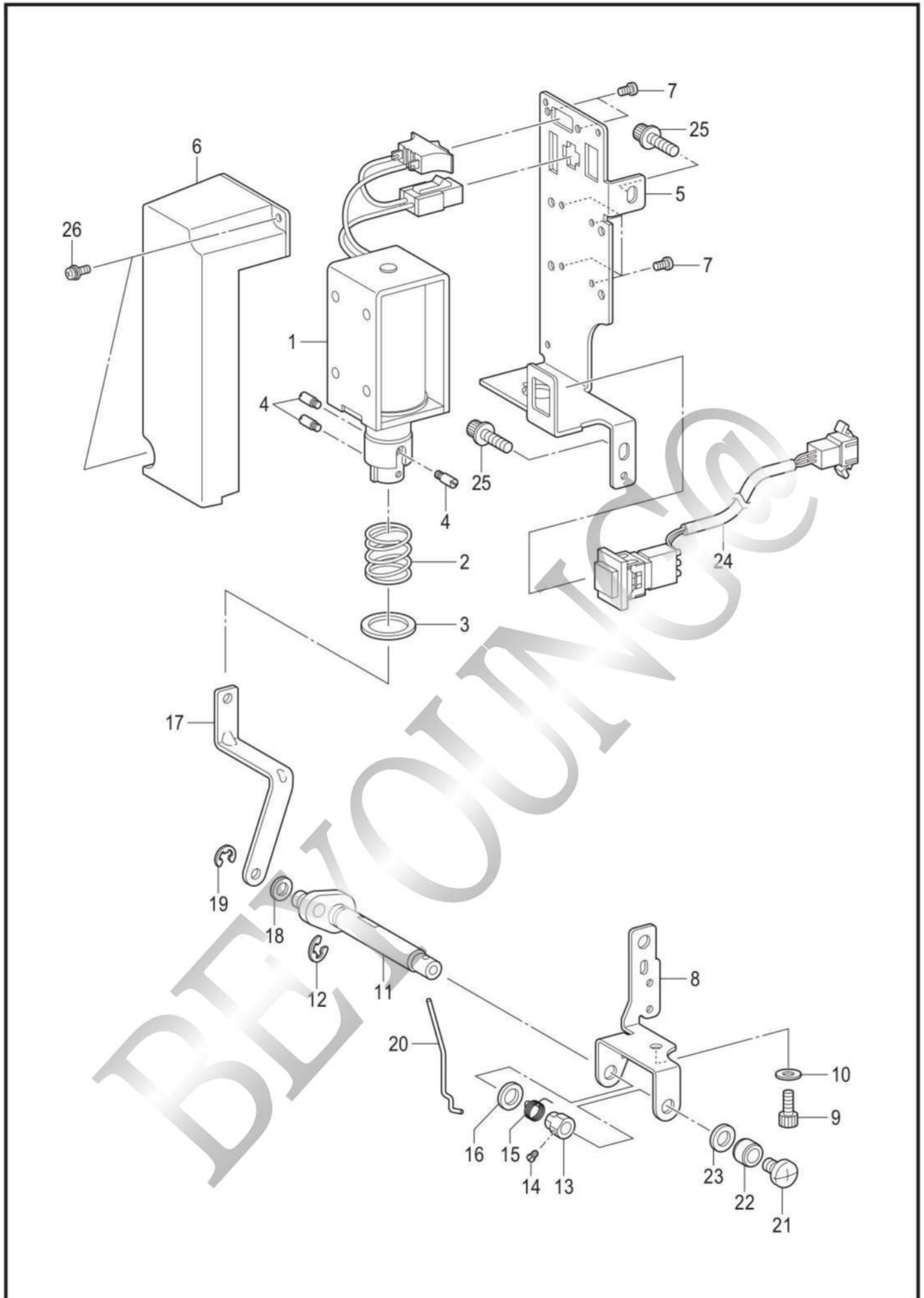
J. 切线装置 / Thread trimmer mechanism



J. 切线装置 / Thread trimmer mechanism

参照号	零部件序号	数量	零部件名称	NAME OF PARTS	RM
57	SA5157101	1	针板 A	NEEDLE PLATE A	
58	SA3330101	1	动刀组件 F	MOVABLE KNIFE ASSY F	
59	SA4518001	1	轴位螺钉	MOVABLE KNIFE SHOULDER SCREW	
60	SA4519001	1	轴向垫圈	THRUST WASHER	
61	S00705001	1	动刀圈套	MOVABLE KNIFE COLLAR	
62	SA6397001	1	垫片 0.2	M-KNIFE SPACER T0.2	
62	SA3334001	1	垫片 0.3	M-KNIFE SPACER T0.3	
62	SA6398001	1	垫片 0.4	M-KNIFE SPACER T0.4	
63+	* P. 90	1	定刀	FIXED KNIFE	
64	062300416	2	螺钉 M3X4	SCREW PAN M3X4	
65	025030236	2	平垫圈 M3	WASHER PLAIN M 3	
66+	* P. 90, 92	1	针孔板	NEEDLE HOLE PLATE	
67	100360003	2	螺钉 SM2.38	SCREW	
68	S25310101	2	螺钉 M4	SCREW, FLAT M4	
69	SA3538001	2	螺钉 M4X8	SCREW, M4X8	
70	SA6273101	1	大旋梭盖挂钩 U	SHUTTLE RACE COVER HOOK U	
71	028030246	2	弹簧垫圈 2-3	WASHER SPRING 2-3	
72	025030236	2	平垫圈 M3	WASHER PLAIN M 3	
73	062300416	2	螺钉 M3X4	SCREW PAN M3X4	

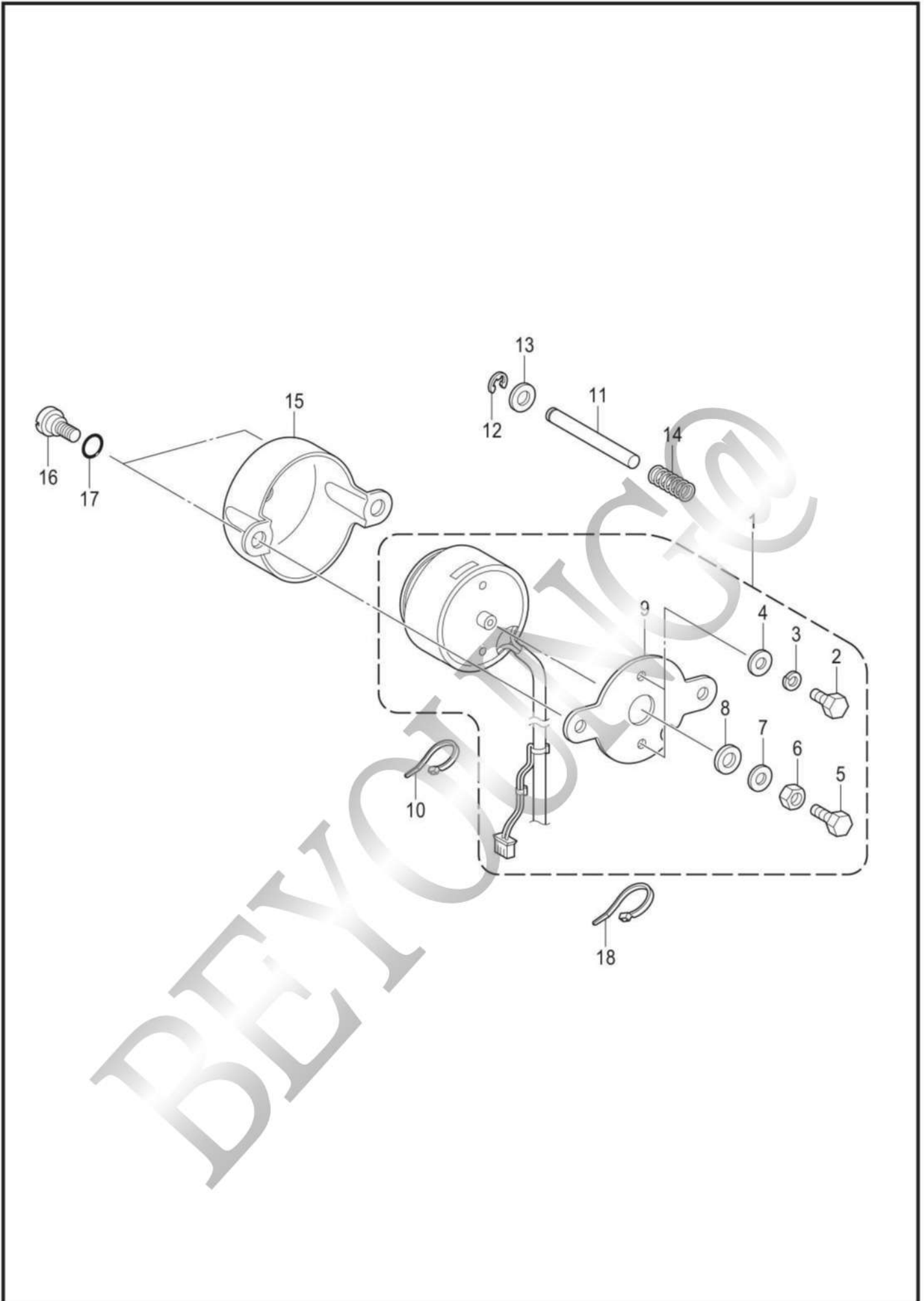
K. 扫线装置 / Thread wiper mechanism



K. 扫线装置 / Thread wiper mechanism

参照号	零部件序号	数量	零部件名称	NAME OF PARTS	RM
1	SA5208101	1	扫线电磁铁组件	THREAD WIPER SOLENOID ASSY	
2	S41206001	1	挡线弹簧	THREAD WIPER SPRING	
3	S41205001	1	平垫圈	WASHER, PLAIN	
4	S25456001	3	柱塞销	PLUNGER PIN	
5	SA5217001	1	扫线电磁铁安装板	T-WIPER SOLENOID SETTING PLATE	
6	SA4806001	1	电磁铁盖	SOLENOID COVER	
7	062300616	6	螺钉 M3X6	SCREW PAN M3X6	
8	SA5218001	1	扫线轴托架	THREAD WIPER SHAFT BRACKET	
9	018400836	1	螺栓 M4X8	BOLT SOCKET M4X8	
10	025040236	1	平垫圈 M4	WASHER PLAIN M 4	
11	SA8057001	1	挡线曲柄组件	THREAD WIPER CRANK ASSY	
12	048040342	1	挡圈 E4	RETAINING RING E4	
13	S25454001	1	螺纹紧圈	SET SCREW COLLAR	
14	S25279001	1	螺钉 M3.5-5	SET SCREW, (CP) M3.5-5	
15	SA2287001	1	弹簧	SPRING	
16	149097000	1	消音垫	SILENT SHEET	
17	SA5219001	1	扫线连杆	THREAD WIPER ROD	
18	110735002	1	垫圈	WASHER	
19	048030342	1	挡圈 E3	RETAINING RING E3	
20	S10470101	1	扫线杆	WIPER	
21	060400516	1	螺钉 M4X5	SCREW BIND M4X5	
22	146288001	1	挡线轴挡圈	THREAD WIPER STUD COLLAR	
23	S03677001	1	垫圈	WASHER	
24	SA5213001	1	停止开关组件	STOP SWITCH ASSY	
25	S55485001	2	螺栓(带垫圈) M5X12	BOLT, SOCKET (S/P WASHER) M5X12	
26	0A4300806	2	螺钉(带垫圈) M3X8DA	SCREW PAN (S/P WASHER) M3X8	

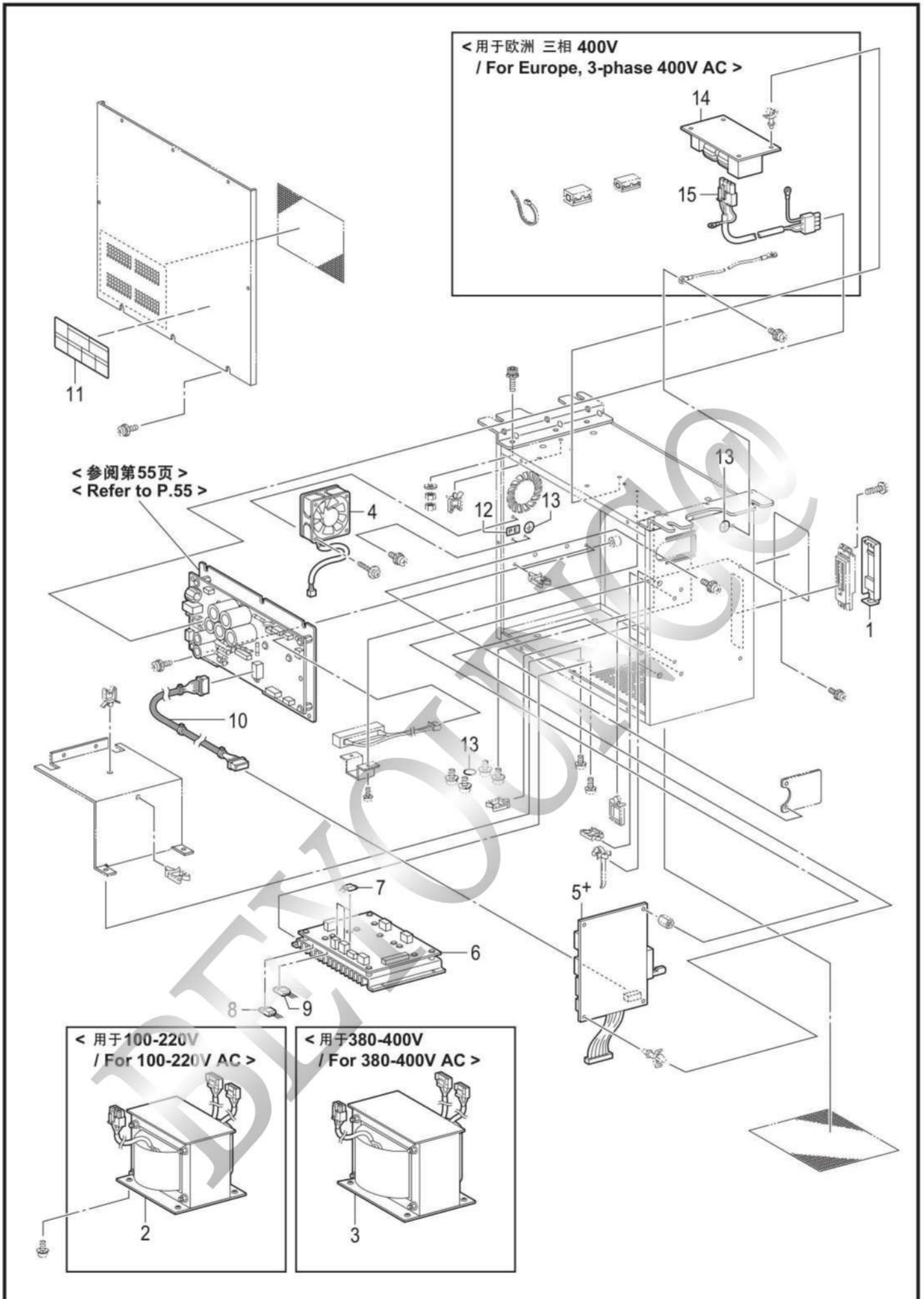
L. 松线装置 / Tension release mechanism



L. 松线装置 / Tension release mechanism

参照号	零部件序号	数量	零部件名称	NAME OF PARTS	RM
1	SA4831201	1	松线器组件 HV	TENSION RELEASE HV ASSY	
2	017400802	2	螺栓 M4X8	BOLT M4X8	
3	028040246	2	弹簧垫圈 2-4	WASHER SPRING 2-4	
4	026040236	2	平垫圈 M4	WASHER PLAIN M 4	
5	017401415	1	螺栓 M4X14	BOLT M4X14	
6	021400306	1	六角螺母 M4	NUT 3 M4	
7	102707002	1	垫圈	WASHER	
8	154599000	1	电磁铁缓冲垫圈	SOLENOID CUSHION	
9	SA3345001	1	电磁铁安装板	SETTING PLATE SOLENOID	
10	S04159000	1	线夹1M	BAND, 1M	
11	SA3347001	1	松线杆	TENSION RELEASE BAR	
12	048040342	1	挡圈 E4	RETAINING RING E4	
13	025050236	1	平垫圈 M5	WASHER PLAIN M 5	
14	SA3348001	1	弹簧	SPRING, COMPRESSION	
15	SA3349001	1	电磁铁盖	SOLENOID COVER	
16	SA3306001	2	轴位螺钉 7-3	SHOULDER SCREW,7-3	
17	081007070	2	O形圈 P7	O RING P7	
18	S04159000	1	线夹1M	BAND, 1M	

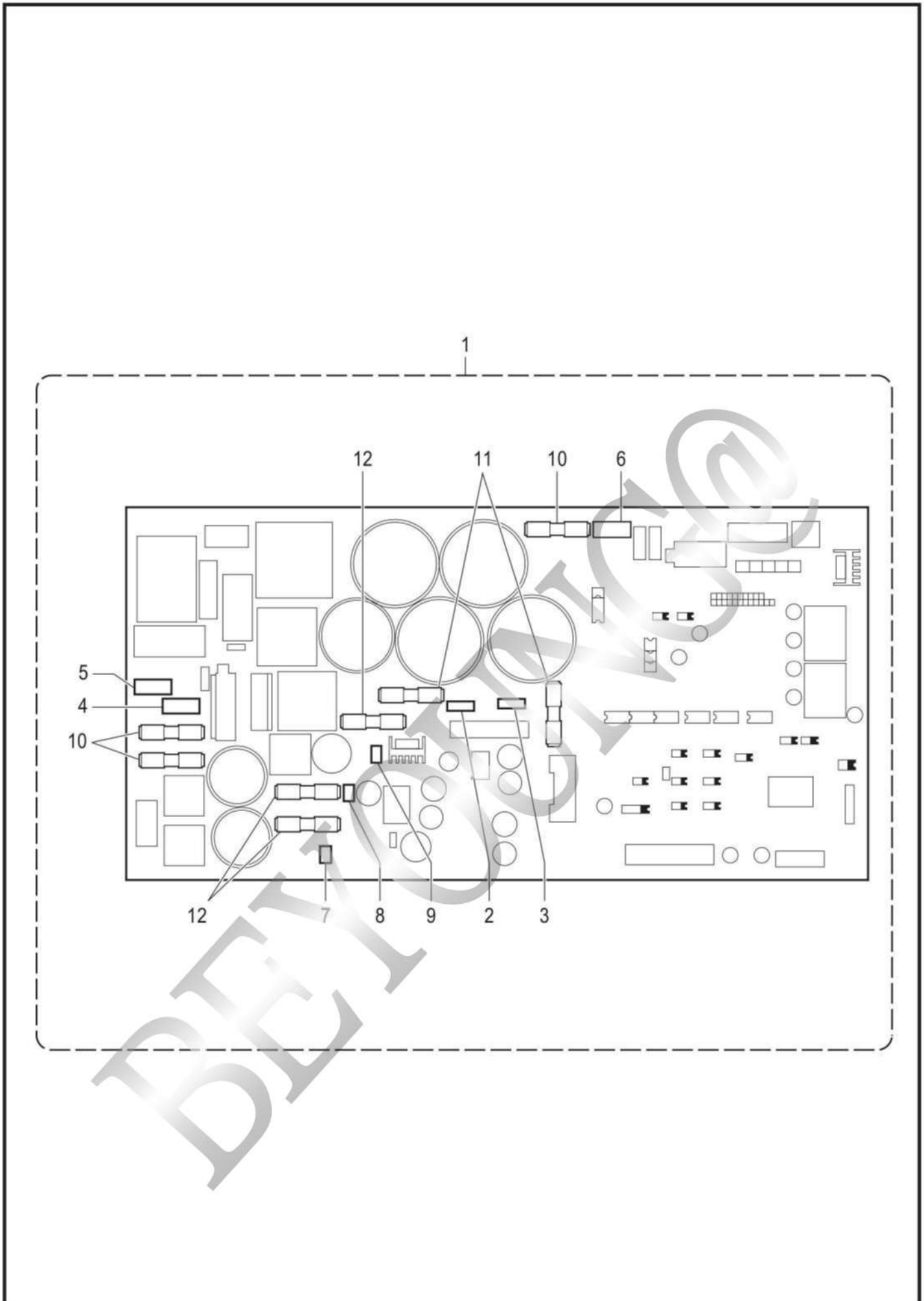
M1. 控制箱 / Control box



M1. 控制箱 / Control box

参照号	零部件序号	数量	零部件名称	NAME OF PARTS	RM
1	SA6364001	1	盖组件 CF	CF CAP ASSY	
2	SA3720101	1	<用于100-220V AC> 变压器 LV	<For 100-220V AC> TRANSFORMER LOW VOLTAGE	
3	SA3808101	1	<用于380-400V AC> 变压器 HV	<For 380-400V AC> TRANSFORMER HIGH VOLTAGE	
4	SA3797001	1	DC风扇马达组件	DC-FAN MOTOR ASSY	
6	SA3739601	1	基板组件 PMD	PCB ASSY PMD	
7	A10191001	3	晶体管 FETH7N1005DS	TRANSISTOR FET:H7N1005DS	
8	S49486000	1	晶体管 FET2SJ222	TRANSISTOR FET:2SJ222	
9	A10192001	1	晶体管 FET2SK3155	TRANSISTOR FET:2SK3155	
10	SA3806001	1	电线	HARNESS, MAIN POWER SUPPLY	
11	J04115001	1	感电标签(6国)	LABEL, ELEC. SHOCK 6 LANG	
12	S37059001	1	PE标记	LABEL, PE	
13	S37060001	3	接地标记	LABEL, GROUNDING	
14	SA3581001	1	<用于欧洲 三相 400V> 基板组件	<For Europe, 3-phase 400V AC> PCB ASSY, NF	
15	SA3796001	1	电线 NF OUT	HARNESS, NF OUT	
5+	SB2022001	1	<用于311G> 主基板组件 311G	<For 311G> PCB ASSY MAIN 311G	
5+	SA4556301	1	<用于326G> 主基板组件	<For 326G> PCB ASSY MAIN	

M2. 控制箱 (电源马达基板) / Control box (Power supply motor PCB)

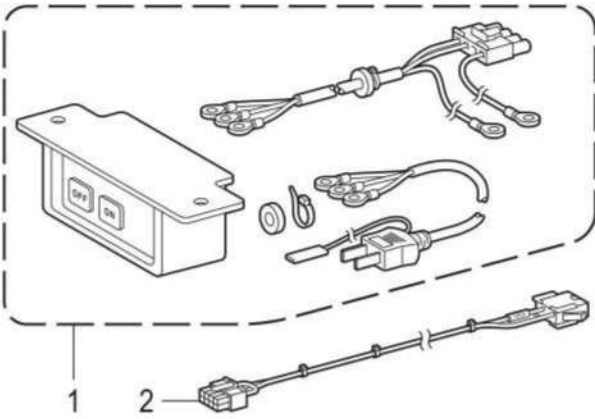


M2. 控制箱 (电源马达基板) / Control box (Power supply motor PCB)

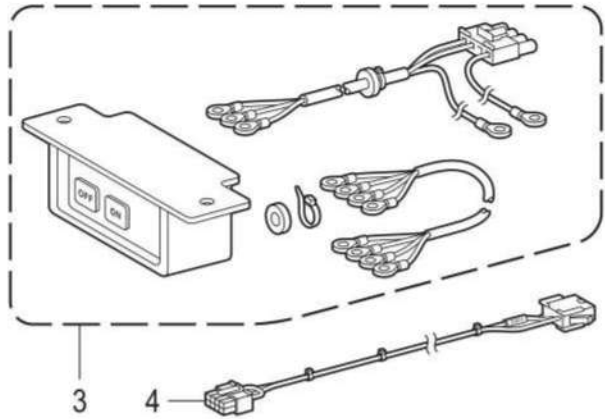
参照号	零部件序号	数量	零部件名称	NAME OF PARTS	RM
1	SA3755301	1	电源马达基板组件	PCB ASSY, POWER SUPPLY MOTOR	
2	SA3765001	1	电阻 V10D101	VARISTOR: V10D101	
3	SA3766001	1	电阻 V10D241	VARISTOR: V10D241	
4	SA3767001	1	电阻 V14D511	VARISTOR: V14D511	
5	SA3762001	1	电阻 V14D911	VARISTOR: V14D911	
6	SA3768001	1	电阻 V14D561	VARISTOR: V14D561	
7	SA3769001	1	电阻 V5D121	VARISTOR: V5D121	
8	SA3770001	1	电阻 V5D330	VARISTOR: V5D330	
9	SA3771001	1	电阻 V5D820	VARISTOR: V5D820	
10	SA3794001	3	保险丝 250V-15A	G FUSE S 15A	
11	SA3795001	2	保险丝 250V-6A	G FUSE S 6A	
12	SA7794001	3	保险丝 3A	G FUSE S 3A	

N. 开关装置 / Power switch mechanism

< 用于日本 单相 100V / For Japan, 1-phase 100V AC. >



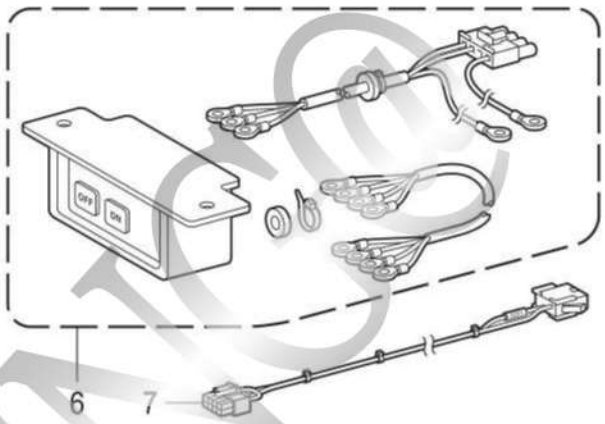
< 用于日本 三相 200V / For Japan, 3-phase 200V AC. >



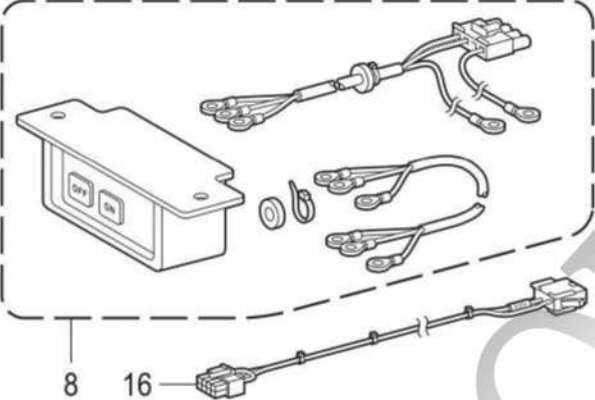
< 用于美国 单相 110V / For USA, 1-phase 110V AC. >



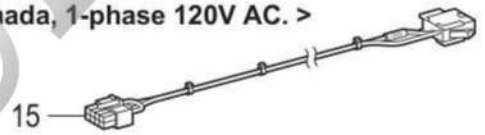
< 用于美国 三相 220V / For USA, 3-phase 220V AC. >



< 用于亚洲和中国 单相 220V / For Asia and China, 1-phase 220V AC. >



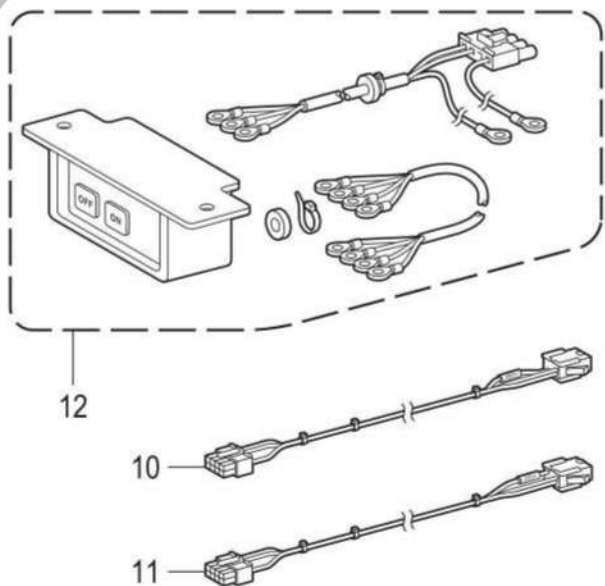
< 用于加拿大 单相 120V / For Canada, 1-phase 120V AC. >



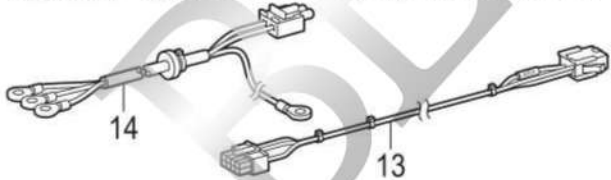
< 用于亚洲 单相 240V / For Asia, 1-phase 240V AC. >



< 用于中国 三相 380V / For China, 3-phase 380V AC. >



< 用于欧洲 三相 400V / For EU, 3-phase 400V AC. >

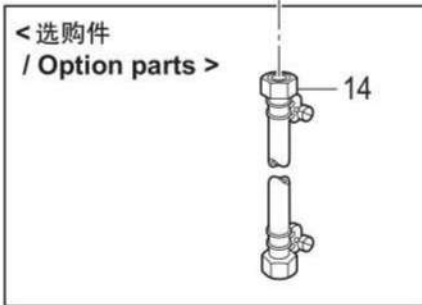
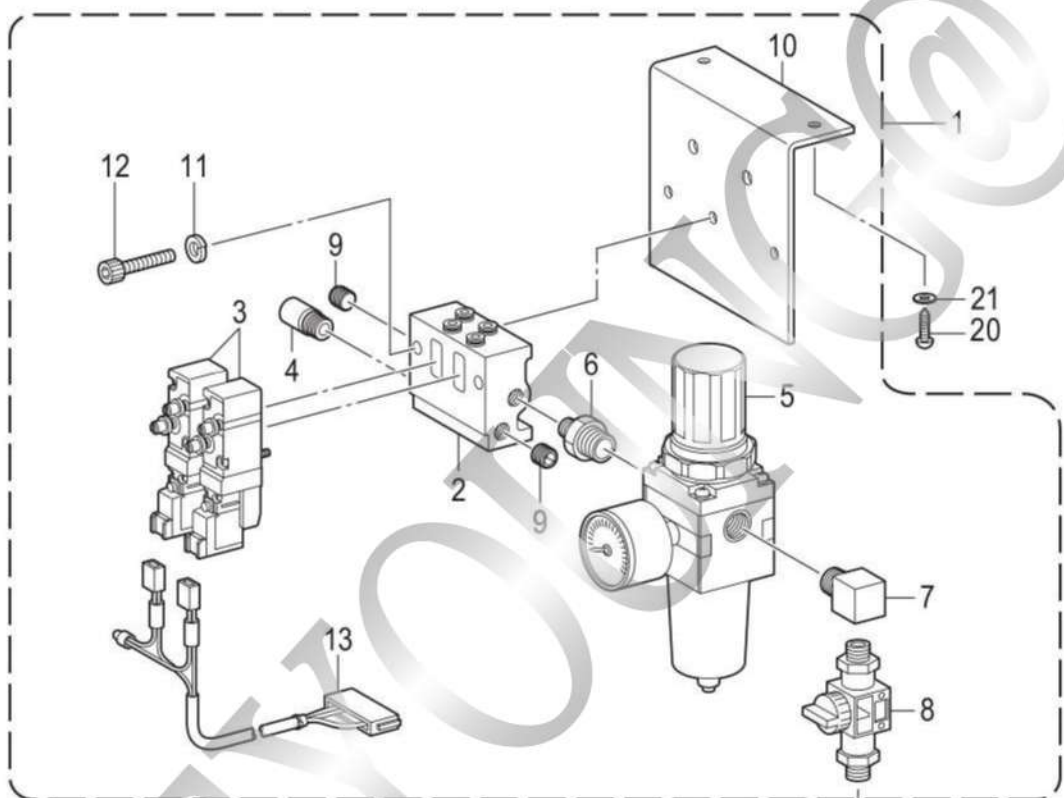
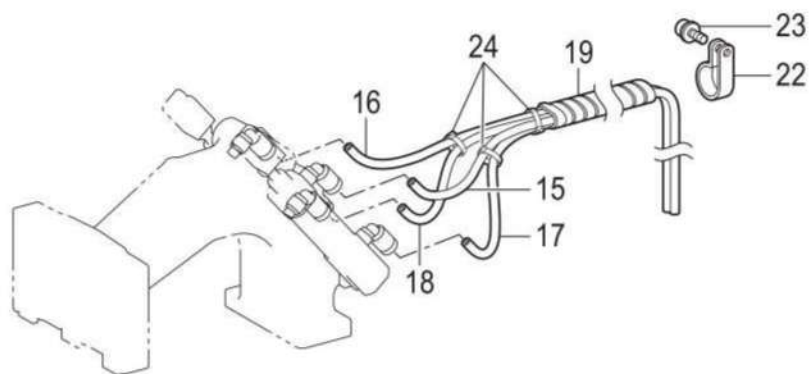


N. 开关装置 / Power switch mechanism

参照号	零部件序号	数量	零部件名称	NAME OF PARTS	RM
1	SA3813101	1	<用于日本 单相 100V> 电源开关组件 1P-JP	<For Japan, 1-phase 100V AC.> POWER SUPPLY SWITCH ASSY,1P-JP	
2	SA3822001	1	V切换电线 100V	VOLTAGE SELECT HARNESS 100V	
3	SA3819101	1	<用于日本 三相 200V> 电源开关组件 3P-JP	<For Japan, 3-phase 200V AC.> POWER SUPPLY SWITCH ASSY,3P-JP	
4	SA3825001	1	V切换电线 200V	VOLTAGE SELECT HARNESS 200V	
5	SA3823001	1	<用于美国 单相 110V> V切换电线 110V	<For USA, 1-phase 110V AC.> VOLTAGE SELECT HARNESS 110V	
6	SA3816101	1	<用于美国 三相 220V> 电源开关组件 3P-L	<For USA, 3-phase 220V AC.> POWER SUPPLY SWITCH ASSY,3P-L	
7	SA3812001	1	V切换电线 220V	VOLTAGE SELECT HARNESS 220V	
8	SA3809101	1	<用于亚洲和中国 单相 220V> 电源开关组件 1P	<For Asia and China, 1-phase 220V AC.> POWER SUPPLY SWITCH ASSY,1P	
16	SA3812001	1	V切换电线 220V	VOLTAGE SELECT HARNESS 220V	
9	SA3826001	1	<用于亚洲 单相 240V> V切换电线 240V	<For Asia, 1-phase 240V AC.> VOLTAGE SELECT HARNESS 240V	
10	SA3827001	1	<用于中国 三相 380V> V切换电线 380V	<For China, 3-phase 380V AC.> VOLTAGE SELECT HARNESS 380V	
11	SA3789101	1	V切换电线 H220V	VOLTAGE SELECT HARNESS H220V	
12	SA4510101	1	电源开关组件 3P-H	POWER SUPPLY SWITCH ASSY,3P-H	
13	SA3828001	1	<用于欧洲 三相 400V> V切换电线 400V	<For Europe, 3-phase 400V AC.> VOLTAGE SELECT HARNESS 400V	
14	SA3838101	1	电线组件 AC IN EC	HARNESS ASSY AC IN EC	
15	SA3824001	1	<用于加拿大 单相 120V> V切换电线 120V	<For Canada, 1-phase 120V AC.> VOLTAGE SELECT HARNESS 120V	

P. 空压装置 / Air pressure mechanism

<用于 311G ,326G / For 311G 326G

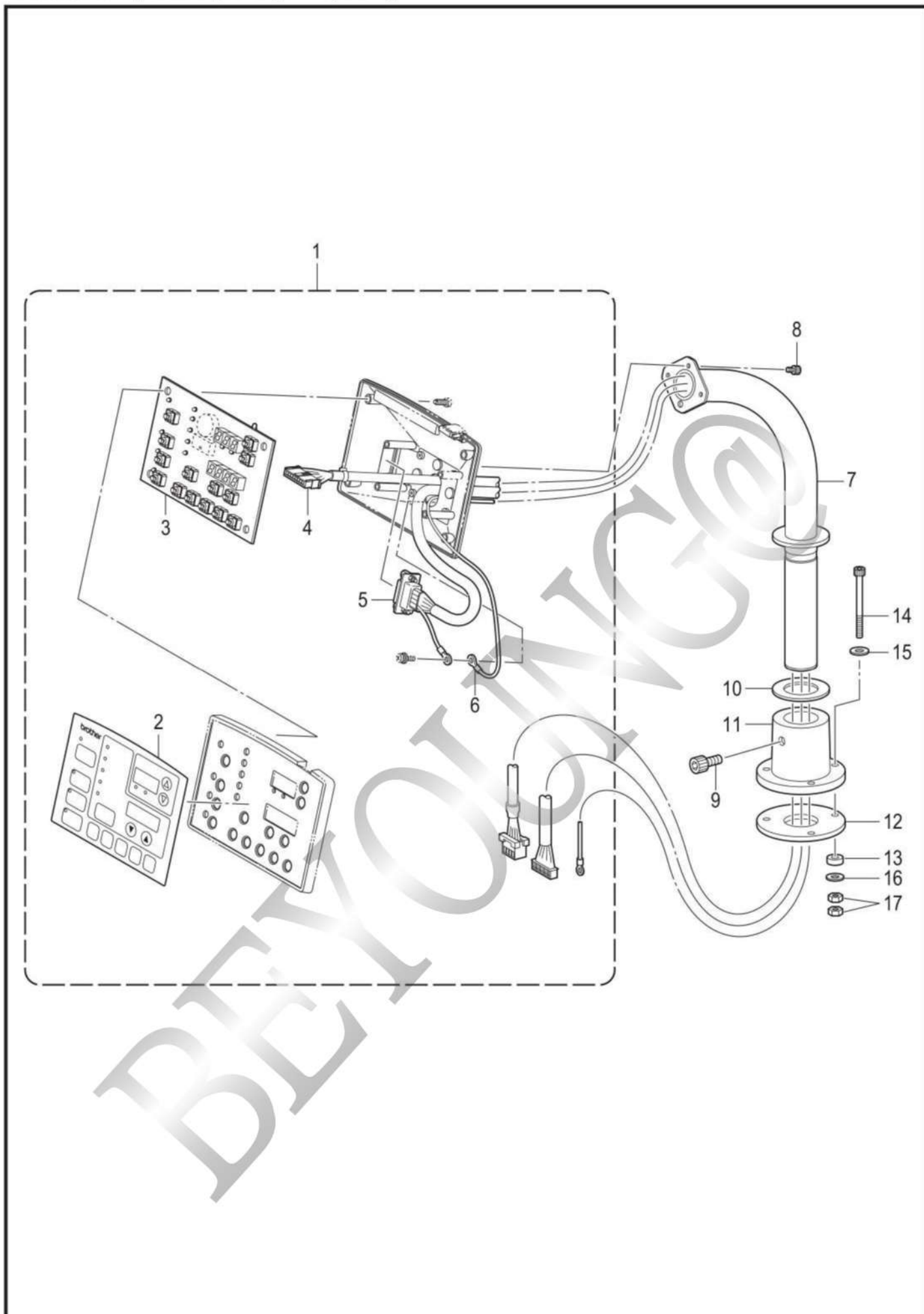


P. 空压装置 / Air pressure mechanism

参照号	零部件序号	数量	零部件名称	NAME OF PARTS	RM
			<用于 311G , 326G>	<For 311G , 326G>	
1	SA5281201	1	电磁阀组件 2A	SOLENOID VALVE ASSY 2A	
2	SA5289001	1	集合管 2	MANIFOLD2	
3	S39116100	2	阀 VQZ2151S-5	VALVE, VQZ2151S-5	
4	SA5283001	1	消音器 AN103-1	SILENCER AN103-1	
5	SA5282001	1	调整器 AW20-02G	FILTER REGULATOR AW20-02G	
6	S09228000	1	管接头	NIPPLE 1/4X1/8	
7	SA7588001	1	接管 PT 1/4	ELBOW PT 1/4	
8	SB0445001	1	手指阀	FINGER VALVE	
9	153274001	2	盖 1/8	CAP, 1/8	
10	SA5286101	1	阀安装板	SETTING PLATE VALVE	
11	028050246	2	弹簧垫圈 2-5	WASHER SPRING 2-5	
12	018503036	2	螺栓 M5X30	BOLT SOCKET M5X30	
13	SA5191001	1	阀门接线2连组	VALVE HARNESS X2 ASSY	
15	SA6405001	1	尼龙管 R	AIR TUBE, R	
16	SA6406001	1	尼龙管 L	AIR TUBE, L	
17	SA6405002	1	尼龙管 R	AIR TUBE, R	
18	SA6406002	1	尼龙管 L	AIR TUBE, L	
19	SA6407001	1	保护用弹性管 470S	SPIRAL, 470S	
20	032422003	2	木螺钉 M4.1X20	WOOD SCREW, ROUND 2 M4.1X20	
21	148847001	2	垫圈	WASHER, PLAIN 4.76	
22	525664000	1	电线夹 #6	CORD HOLDER, #6	
23	0A5401006	1	螺钉(带垫圈) M4X10DB	SCREW PAN (S/P WASHER) M4X10	
24	228475000	3	电线夹 1.9X80	FASTENING BAND, 1.9X80	
14	149796001	1	<选购件> 像皮管带接头	<Option parts> AIR HOSE, W/CONNECTOR	

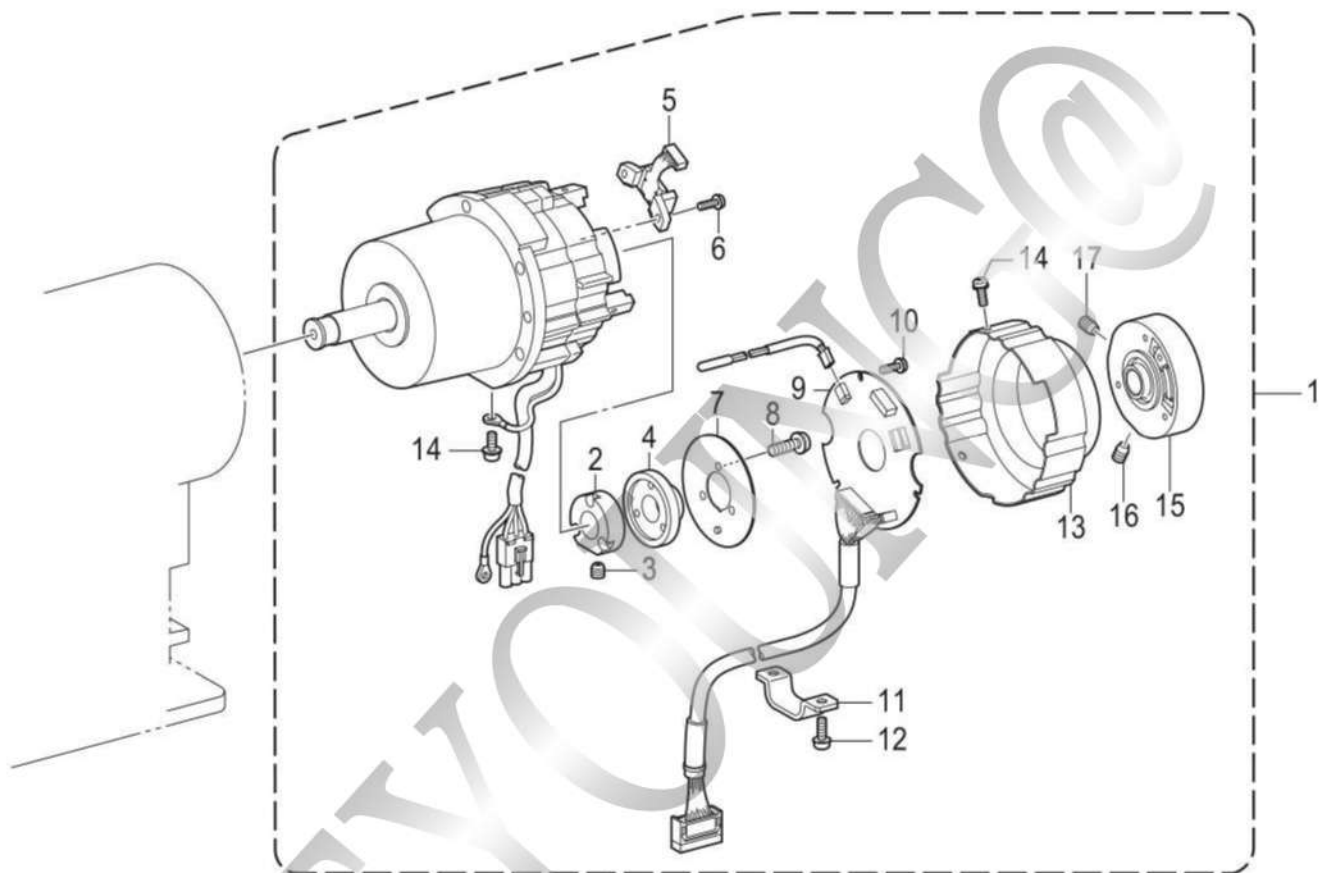
Q2. 电气部品 / Power supply equipment (311G, 326G)

参照号	零部件序号	数量	零部件名称	NAME OF PARTS	RM
1	525567000	3	电线夹 #8	CORD HOLDER, #8	
2	149547000	1	压线板	CORD HOLDER, 4N	
3	149287000	3	压线板	CORD HOLDER, 7N	
4	0A5401006	7	螺钉(带垫圈) M4X10DB	SCREW PAN (S/P WASHER) M4X10	
5	SA4830001	1	传感器组件	H-POSITION SENSOR ASSY	
6	062300816	3	螺钉 M3X8	SCREW PAN M3X8	
7	SA3481001	1	机头开关组件	SWITCH ASSY, MACHINE HEAD	
8	0A5301605	2	螺钉(带垫圈) M3X16DB	SCREW PAN (S/P WASHER) M3X16	
11	SA5210001	1	电磁铁接线	THREAD WIPER SOLENOID HARNESS	
12	SA5214001	1	开关接线	STOP SWITCH HARNESS	
13	SA5261001	1	接地线 450	GROUND WIRE 450	
14	0A5401006	1	螺钉(带垫圈) M4X10DB	SCREW PAN (S/P WASHER) M4X10	
15	554482000	1	电线夹 #12	CORD HOLDER, #12	
16	S00470000	1	电线夹 #16	CORD HOLDER, 16N	
17	0A5401006	2	螺钉(带垫圈) M4X10DB	SCREW PAN (S/P WASHER) M4X10	
18	218859001	2	电线夹 M150	BINDER, M150	
19	S04159000	1	线夹1M	BAND, 1M	
20	SA6560101	2	保护用螺线管 140SS	SPIRAL, 140SS	
21	S04159000	2	线夹1M	BAND, 1M	



R2. 操作盘 / Operation panel (311G, 326G)

参照号	零部件序号	数量	零部件名称	NAME OF PARTS	RM
1	SA4834101	1	操作盘组件	OPERATION PANEL ASSY	
2	SA3831001	1	操作盘面板	PANEL SHEET	
3	SA3833301	1	操作盘基板组件	PANEL PCB ASSY	
4	SA4563101	1	操作盘接线	PANEL HARNESS	
5	SA4837101	1	程序中继线	PROGRAMMER CONNECTING HARNESS	
6	SA4841101	1	接地线	GROUND WIRE	
7	SA4836001	1	操作盘支柱	OPERATION PANEL STAND	
8	018400636	3	螺栓 M4X6	BOLT SOCKET M4X6	
9	018081636	1	螺栓 M8X16	BOLT SOCKET M8X16	
10	S10408000	1	橡皮垫片	RUBBER SHEET	
11	S43236009	1	操作盘基座	OPERATION PANEL BASE	
12	S43674000	1	缓震垫 A	CUSHION, A	
13	S43675000	3	缓震垫 B	CUSHION, B	
14	SA8664001	3	螺栓 M5X75	BOLT SOCKET M5X75	
15	025050236	3	平垫圈 M5	WASHER PLAIN M 5	
16	SB2357001	3	平圈 L5	WASHER PLAIN L 5	
17	021500106	6	六角螺母 M5	NUT 1 M5	

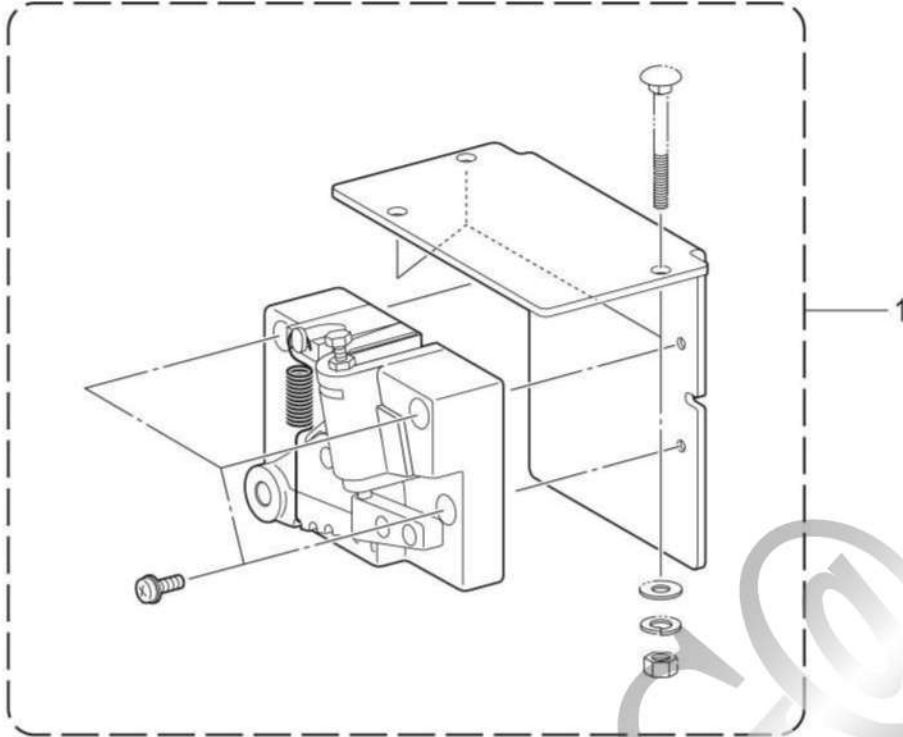


S. 马达装置 / Motor mechanism

参照号	零部件序号	数量	零部件名称	NAME OF PARTS	RM
1	J80991001	1	马达组件 CDD-430D	MOTOR ASSY CDD-430D	
2	J03955001	1	磁鼓 CDD	DRUM CDD	
3	014400632	2	螺钉 M4X6	SET SCREW SOCKET (CP) M4X6	
4	J03956001	1	磁铁 180P36	MAGNET 180P36	
5	J03957001	1	MR感应器组件 180P	MR SENSOR ASSY 180P	
6	0A4301006	2	螺钉(带垫圈) M3X10DA	SCREW PAN (S/P WASHER) M3X10	
7	J03958001	1	屏蔽板 CDD	SHIELD PLATE CDD	
8	0A4261006	3	螺钉(带垫圈) M2.6X10DA	SCREW PAN (S/P WASHER) M2.6X10	
9	J80994001	1	ENC基板组件 430D	ENC PCB ASSY, 430D	
10	0A5300606	3	螺钉(带垫圈) M3X6DB	SCREW PAN (S/P WASHER) M3X6	
11	J04230001	1	电线固定夹 CDD-HT	CORD HOLDER CDD-HT	
12	0A4401006	3	螺钉(带垫圈) M4X10DA	SCREW PAN (S/P WASHER) M4X10	
13	J04388001	1	编码器盖 430D	ENCODER COVER 430D	
14	0A4300806	3	螺钉(带垫圈) M3X8DA	SCREW PAN (S/P WASHER) M3X8	
15	J04303001	1	同步轮组件 430D	PULLEY HOLDER ASSY 430D	
16	SA1229101	1	螺钉 M6X6	SET SCREW (FT) M6X6	
17	012060632	1	螺钉 M6X6	SET SCREW SOCKET (FT) M6X6	

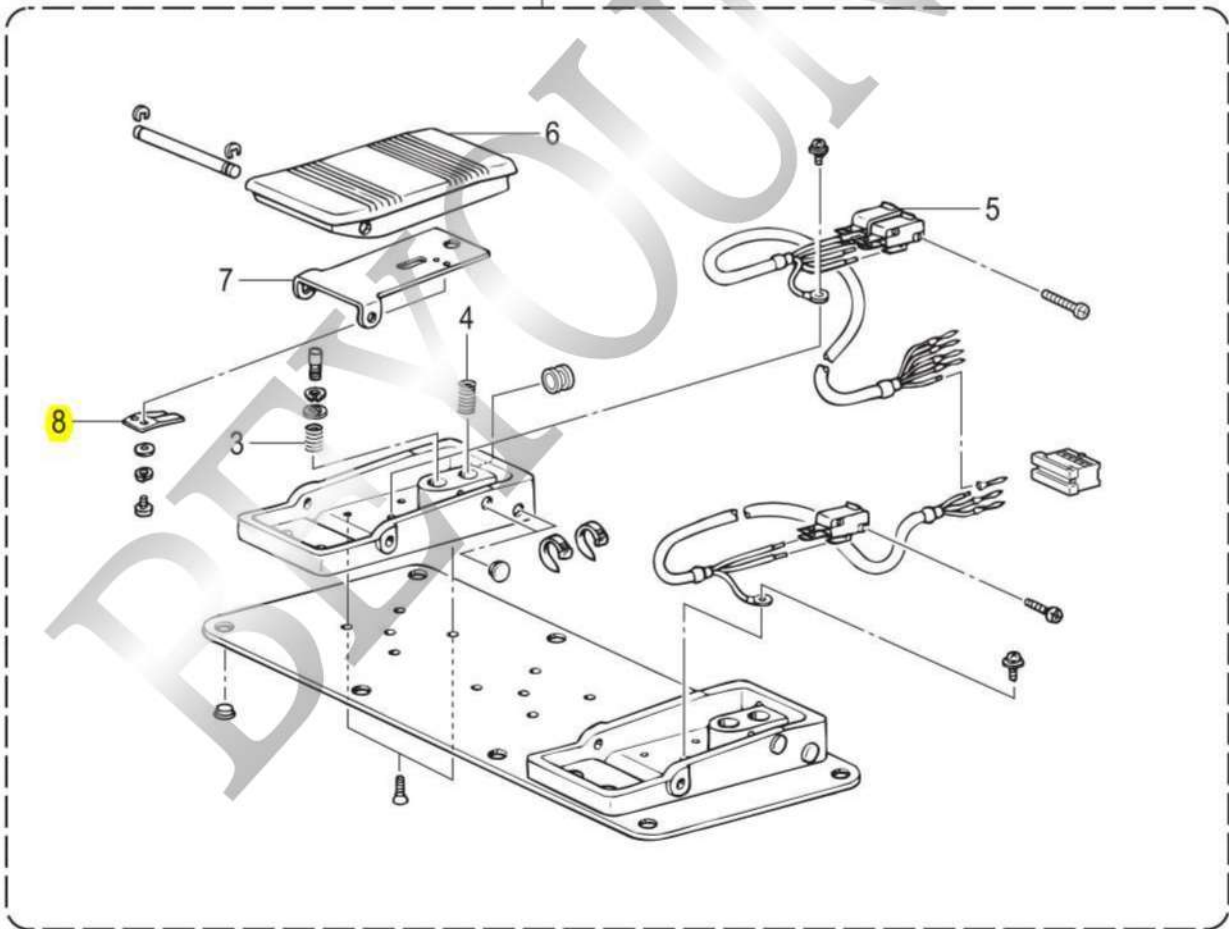
T. 踏板关系 / Foot switch pedal mechanism

<用于 311G / For 311G >



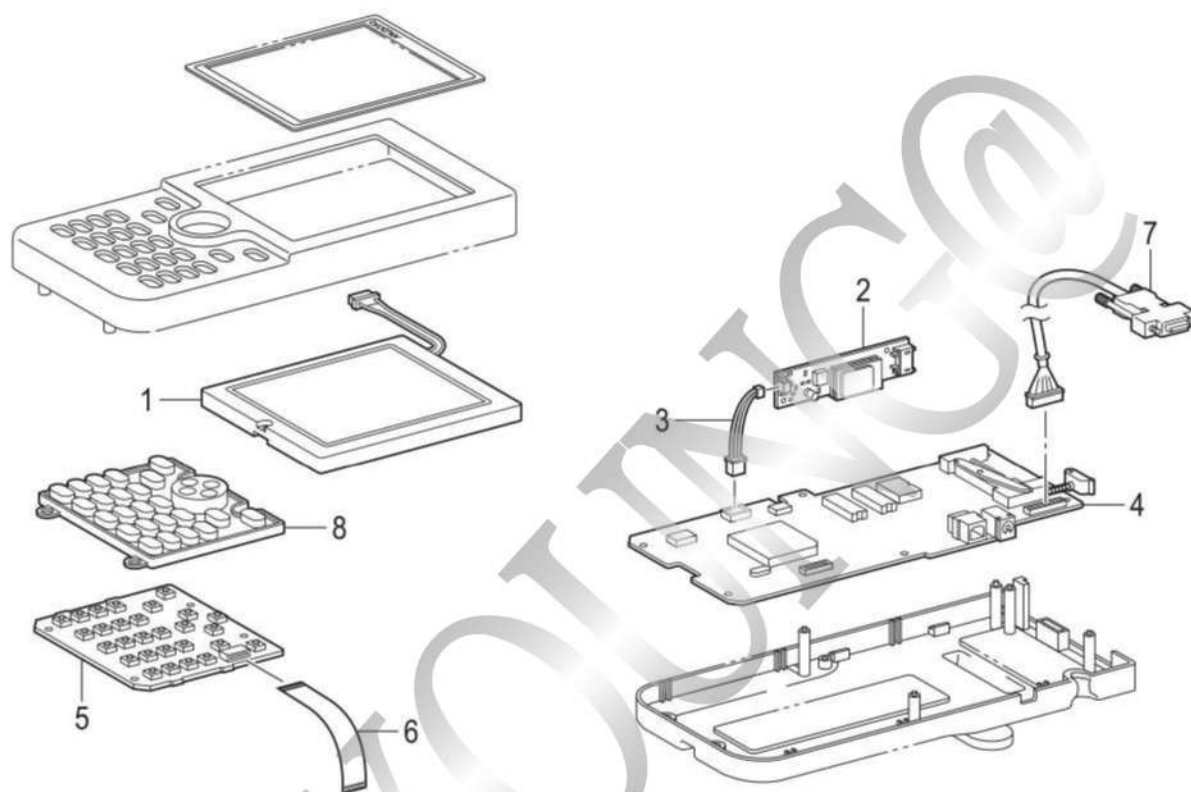
<用于 311G ,326G / For 311G ,326G >

2



T. 踏板关系 / Foot switch pedal mechanism

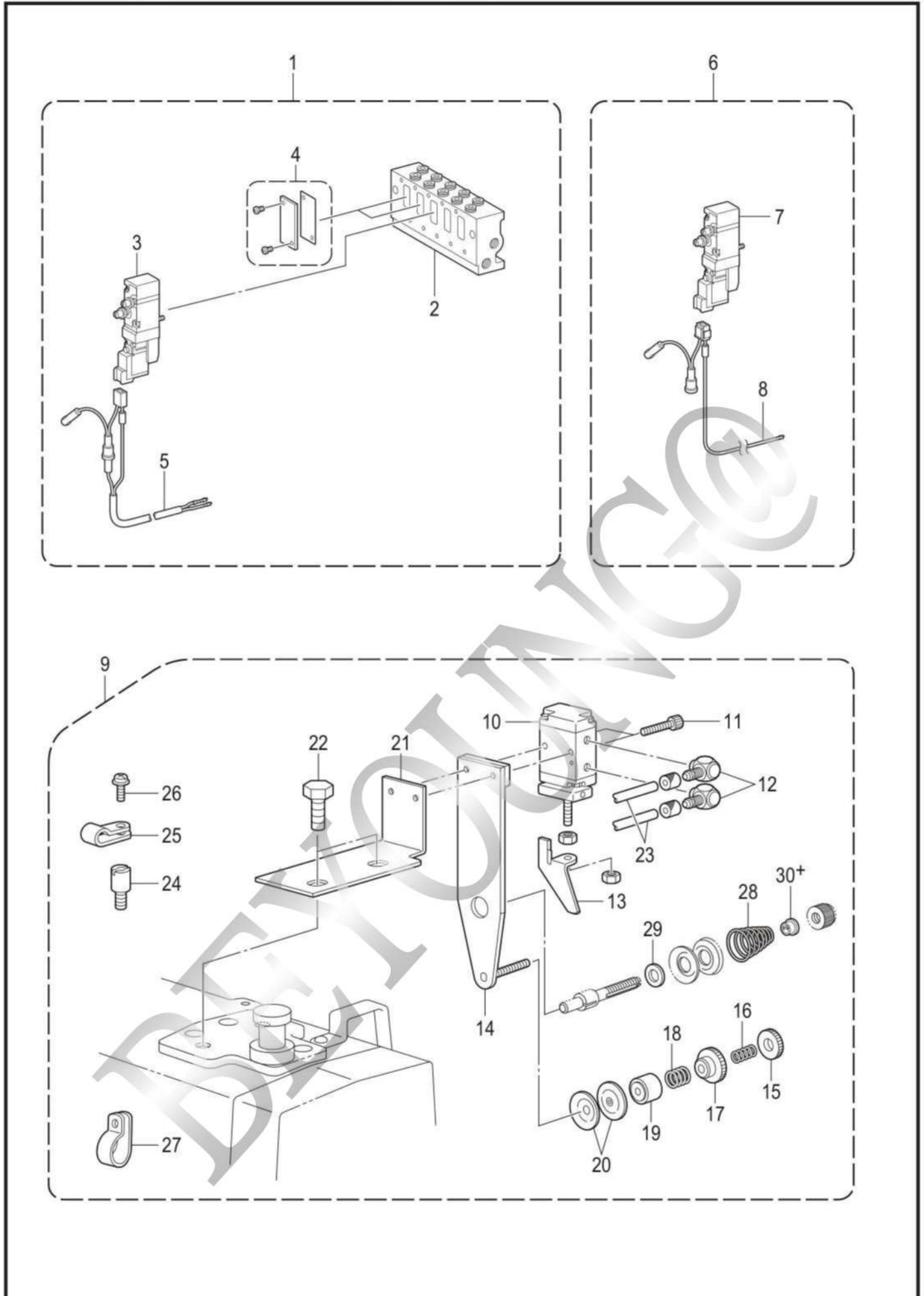
参照号	零部件序号	数量	零部件名称	NAME OF PARTS	RM
1	SA3519101	1	<用于 311G > 踏板复合件 A	<For 311G > TREADLE UNIT, A ASSY	
2	SA6038001	1	<用于 311G , 326G> 2连脚踏开关组件	<For 311G , 326G> 2-PEDAL FOOT SWITCH, SW ASSY	
3	S38168001	1	弹簧	SPRING, COMPRESSION 10X30	
4	S38170001	2	弹簧	FOOT PEDAL SPRING	
5	S36260000	3	开关 VX	PIN BUTTON MICRO SWITCH, VX	
6	S38174000	2	脚踏板	FOOT PEDAL	
7	S38175101	2	脚踏护板	PROTECTION PLATE, PEDAL	
8	S38176101	2	弹簧板	SPRING, PLATE	



U. 编程装置 / Programmer

参照号	零部件序号	数量	零部件名称	NAME OF PARTS	RM
1	SA5164001	1	LCD 模数	LCD MODULE	
2	SA5165001	1	LCD变换器	LCD INVERTER	
3	SA5166001	1	变换器接线	INVERTER HARNESS	
4	SA5170001	1	编程器基板组件	PROGRAMMER PCB ASSY	
5	SA5172001	1	开关基板组件	SWITCH PCB ASSY	
6	SA5168001	2	FFC接线	FFC: SML2CD	
7	SA5167001	1	编程器接线	PROGRAMMER HARNESS	
8	SA4574001	1	键盘	KEYBOARD	

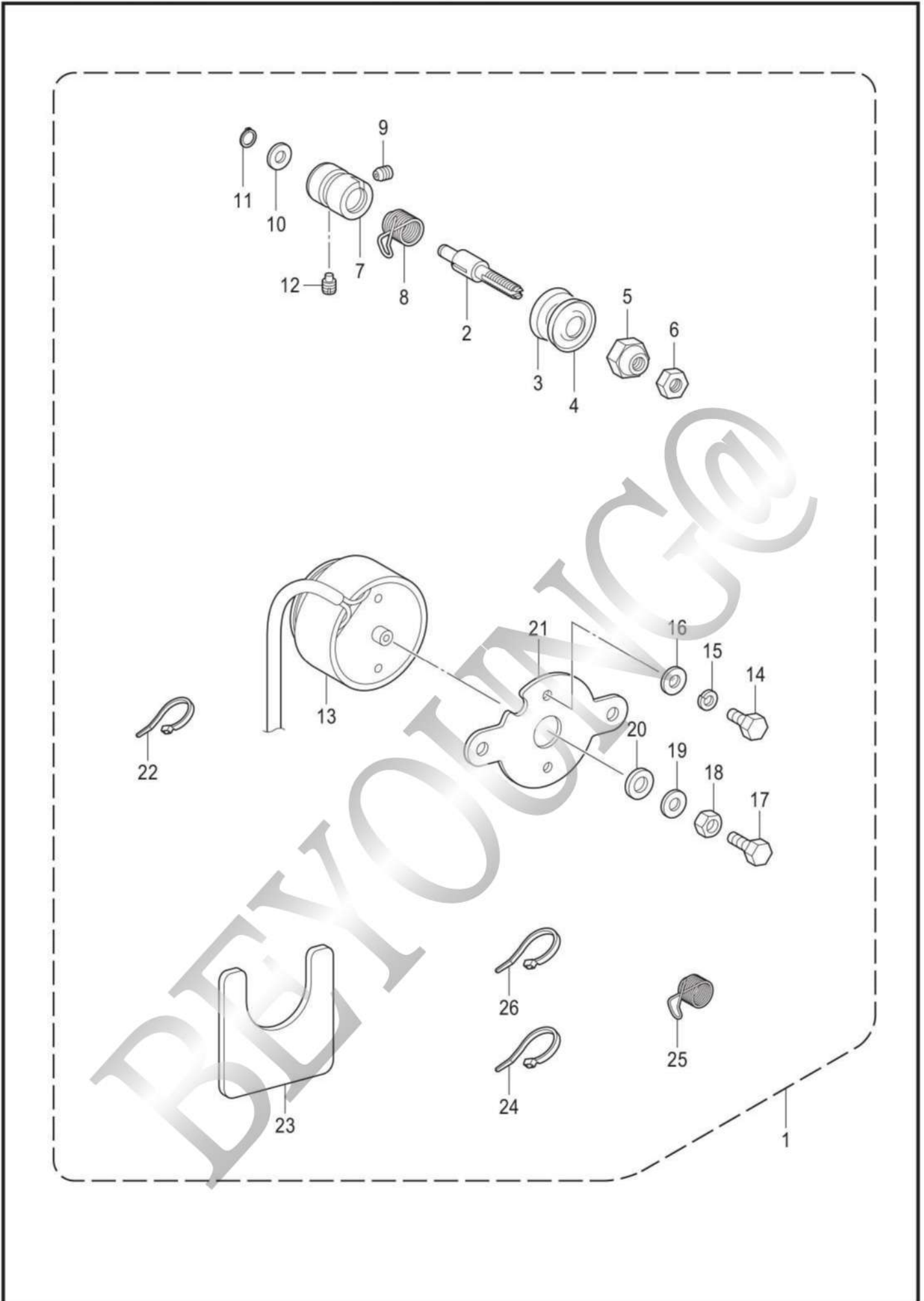
V1. 附属装置(选购件) / Attachment set (Option parts)



V1. 附属装置(选购件)/ Attachment set (Option parts)

参照号	零部件序号	数量	零部件名称	NAME OF PARTS	RM
1	SA7500001	1	<用于欧洲以外> OP集合管5复合件	<Except for Europe> OPTION MANIFOLD 5 SET	
2	SA5290001	1	集合管 5	MANIFOLD 5	
1	SA75000E1	1	<用于欧洲> OP集合管5复合件	<For Europe only> OPTION MANIFOLD 5 SET	
2	SA75390E1	1	集合管 5WEEE	MANIFOLD 5WEEE	
3	S39116100	1	阀 VQZ2151S-5	VALVE VQZ2151S-5	
4	S53982000	2	遮隔板组件	BLANKING PLATE ASSY	
5	SA7166101	1	阀接线X1组	VALVE HARNESS ASSY X1	
6	SA7171001	1	<用于欧洲以外> OP追加阀门组	<Except for Europe> OPTION ADD VALVE ASSY	
7	S39116100	1	阀 VQZ2151S-5	VALVE VQZ2151S-5	
6	SA71710E1	1	<用于欧洲> OP追加阀门组	<For Europe only> OPTION ADD VALVE ASSY	
7	SA74521E0	1	阀 VQZ2151S	VALVE VQZ2151S-5 WEEE	
8	SA7167101	1	追加阀接线 SG	OP VALVE HARNESS SG	
9	SA7197101	1	2挡线张力调节装置	2-STEP THREAD TENSION DEVICE	
10	S34706000	1	汽缸10X10	AIR CYLINDER, 10X10	
11	018302036	2	螺栓 M3X20	BOLT SOCKET M3X20	
12	S12150000	2	管接头 M-5HL-4	TUBE ELBOW, M-5HL-4	
13	S34533001	1	开盘爪	COUNTERSINK CLAW	
14	S34534101	1	辅助张力器基座组件	SUB TENSION BRACKET ASSY	
15	155510001	1	夹线螺母	TENSION NUT	
16	146060000	1	压簧	SPRING	
17	146059001	1	张力器螺母	PRE-TENSION NUT	
18	146058001	1	张力器弹簧	PRE-TENSION SPRING	
19	146206009	1	导向盘压圈	DISC PRESSER, T-GUIDE	
20	144504001	2	导向盘	THREAD GUIDE DISC	
21	SA7199001	1	汽缸安装板	SETTING BRACKET, CYLINDER	
22	017081606	2	六角螺栓 M8X16	BOLT M8X16	
23	S15031010	2	空气管 4X2.5	AIR TUBE, 4X2.5	
24	SA7155001	2	隔离圈	SPACER	
25	S00480000	2	电线夹 #5	CORD HOLDER, 5N	
26	0A5401006	2	螺钉(带垫圈) M4X10DB	SCREW PAN (S/P WASHER) M4X10	
27	525907000	1	电线夹 #9	CORD HOLDER #9	
28	SA3416101	1	弹簧 LL	TENSION SPRING LL	
29	S48140002	1	垫圈	WASHER	
30+	*P. 91	1	垫圈	WASHER	

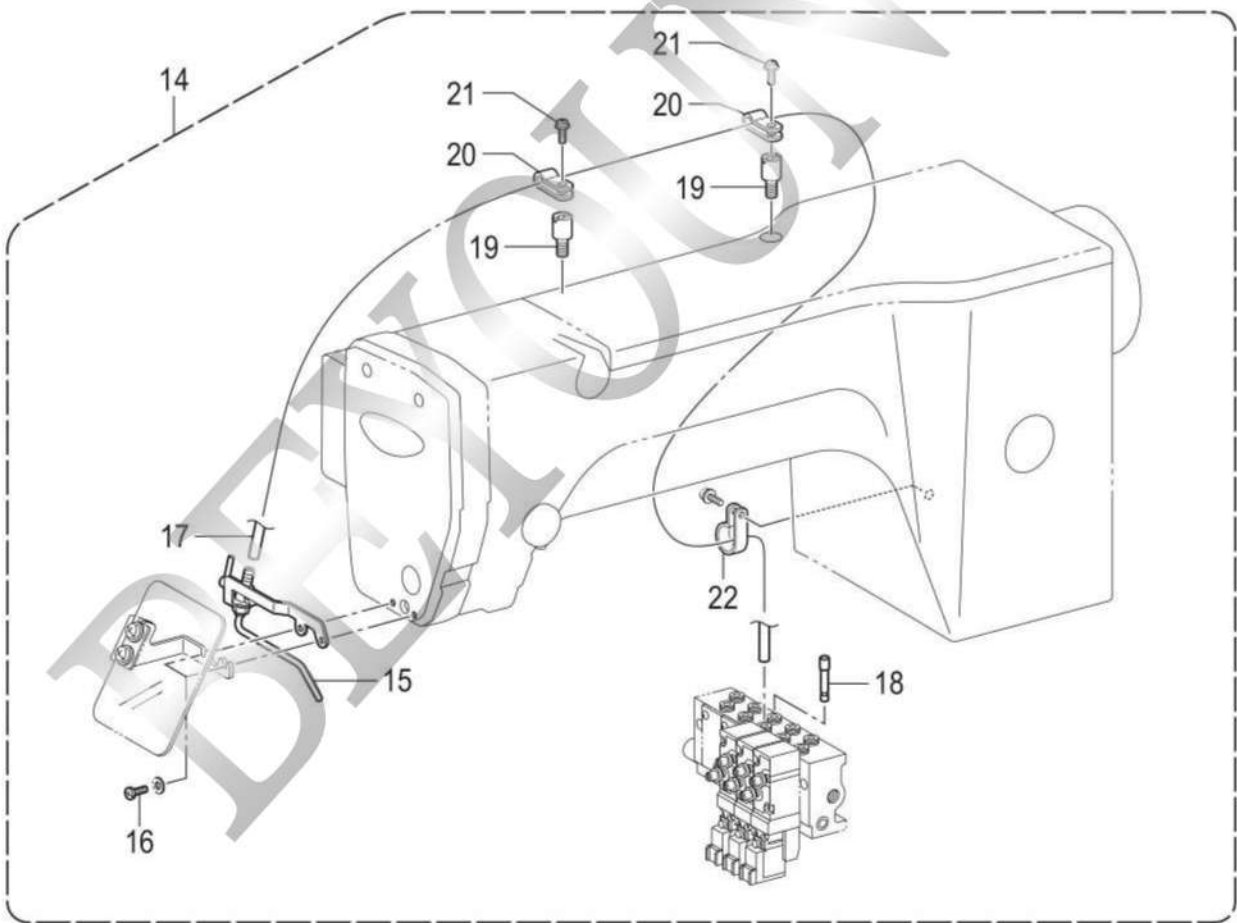
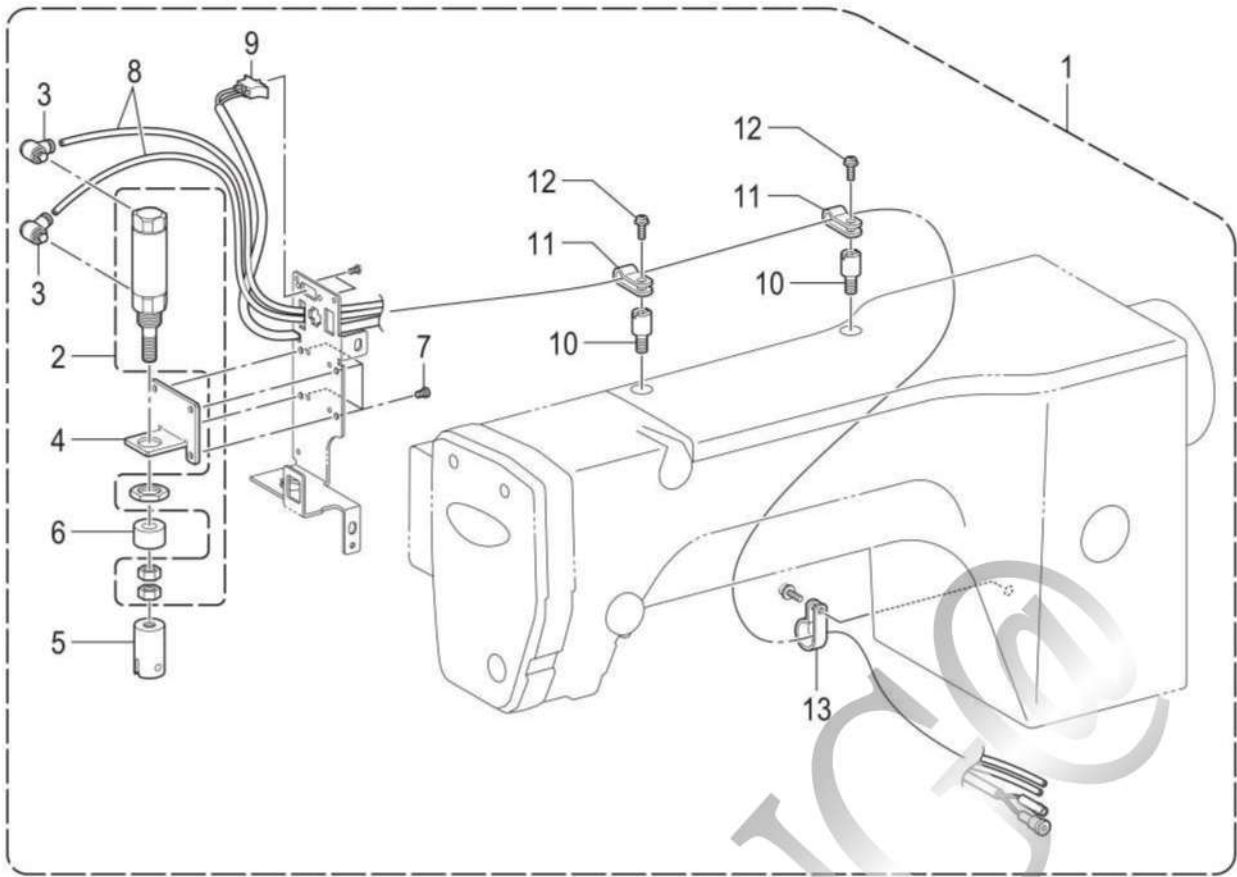
V2. 附属装置(选购件) / Attachment set (Option parts)



V2. 附属装置(选购件)/ Attachment set (Option parts)

参照号	零部件序号	数量	零部件名称	NAME OF PARTS	RM
1	SA5436301	1	<用于欧洲以外> 张力器 DT	<Except for Europe> DT TENSION SET	
1	SA54363E1	1	<用于欧洲> 张力器 DT	<For Europe only> DT TENSION SET	
2	SA7510001	1	夹线杆 DT	DT TENSION STUD	
3	SA6190001	1	夹线盘 DT	DISC DT	
4	145446001	1	夹线盘	DISC, TENSION	
5	SA3638001	1	螺母 DT	DT NUT	
6	021060306	1	六角螺母 M6	NUT 3 M6	
7	SA7511001	1	夹线基座 DT	DT TENSION BRACKET	
8	SA6193301	1	弹簧 C	THREAD TAKE-UP SPRING C	
9	013679412	1	固定螺钉 SM3.57	SET SCREW, (CP) SM3.57	
10	SA4932001	1	垫圈	WASHER	
11	048060142	1	轴用挡圈 C6	RETAINING RING EXTERNAL C6	
12	SA7512001	1	固定螺钉	SET SCREW	
13	SA4829001	1	数码张力电磁铁	DIGITAL TENSION SOLENOID	
14	017400802	2	螺栓 M4X8	BOLT M4X8	
15	028040246	2	弹簧垫圈 2-4	WASHER SPRING 2-4	
16	026040236	2	平垫圈 M4	WASHER PLAIN M 4	
17	017401015	1	螺栓 M4X10	BOLT M4X10	
18	021400306	1	六角螺母 M4	NUT 3 M4	
19	102707002	1	垫圈	WASHER	
20	SA6284001	1	缓震垫	CUSHION	
21	SA3345001	1	电磁铁安装板	SETTING PLATE, SOLENOID	
22	S04159000	1	线夹1M	BAND 1M	
23	SA7508001	1	电磁铁撑板 DT	DT SOLENOID PLATE	
24	218859001	2	电线夹 M150	BINDER M150	
25	SA9058001	1	挑线弹簧	THREAD TAKE-UP SPRING	
26	S04159000	2	线夹1M	BAND 1M	

V3. 附属装置(选配件) / Attachment set (Option parts)

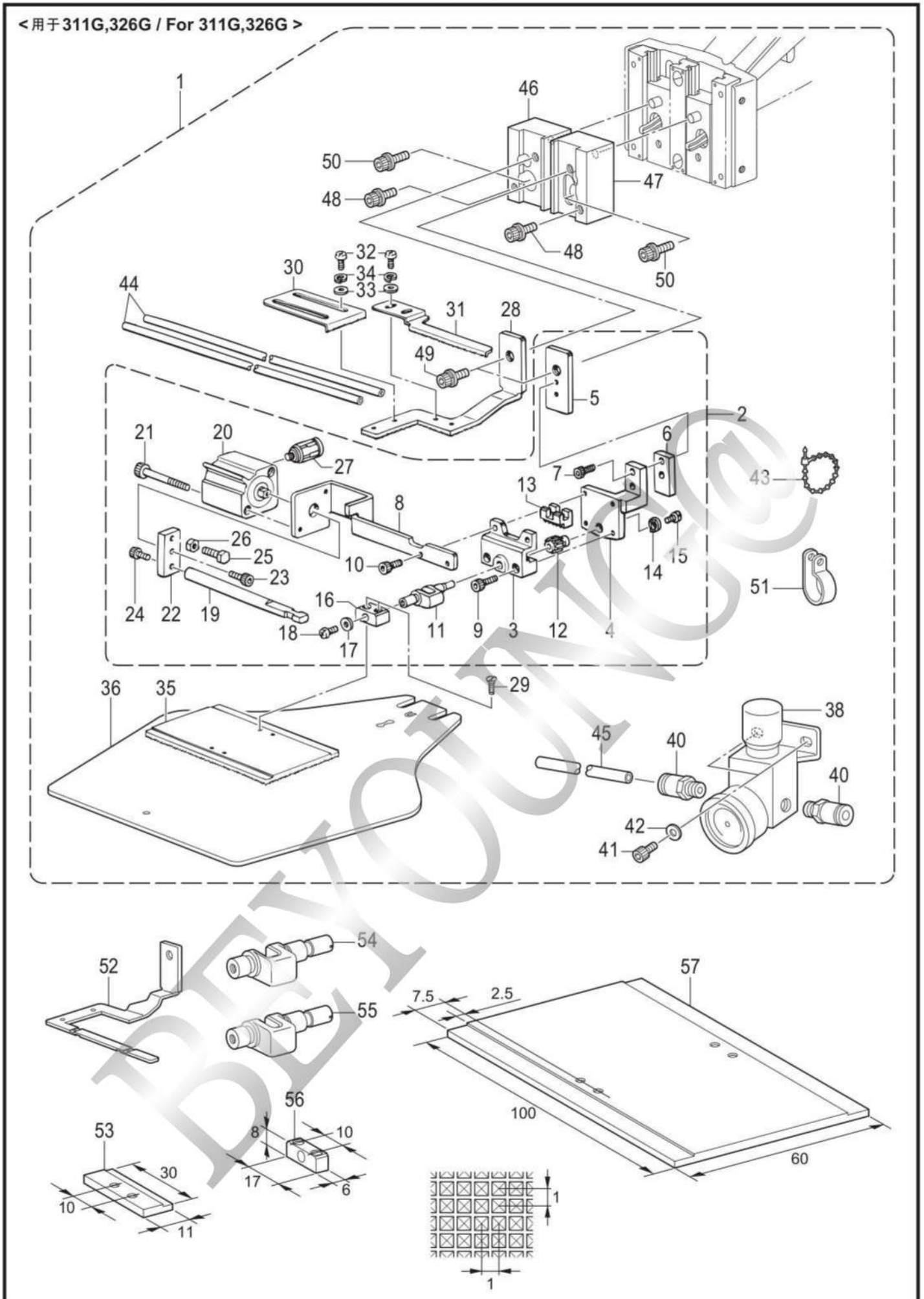


V3. 附属装置(选购件)/ Attachment set (Option parts)

参照号	零部件序号	数量	零部件名称	NAME OF PARTS	RM
			<用于欧洲以外>	<Except for Europe>	
1	SA5575101	1	扫线器装置	TR. WIPER SET PNEUMANIC TYPE	
2	S17942100	1	气缸	AIR CYLINDER	
			<用于欧洲>	<For Europe only>	
1	SA55751E1	1	扫线器装置	TR. WIPER SET PNEUMANIC TYPE	
2	SA74700E1	1	气缸 WEEE	AIR CYLINDER WEEE	
3	S55533000	2	管接头 M5	ELBOW, M5	
4	SA7163001	1	气缸安装板	CYLINDER SUPPORT PLATE	
5	SA7164001	1	气缸接口	JOINT CYLINDER	
6	S31778000	1	气缸定位器	STOPPER, CYLINDER	
7	062350616	4	螺钉 M3.5X6	SCREW PAN M3.5X6	
8	S15031010	2	空气管 4X2.5	AIR TUBE, 4X2.5	
9	SA7620101	1	扫线器开关组件 G	THREAD WIPER SWITCH ASSY G	
10	SA7155001	2	隔离圈	SPACER	
11	525664000	2	电线夹 #6	CORD HOLDER #6	
12	0A5401006	2	螺钉(带垫圈) M4X10DB	SCREW PAN (S/P WASHER) M4X10	
13	552907000	1	电线夹 #10	CORD HOLDER #10	
14	SA5559101	1	机针冷却装置	NEEDLE COOLER SET	
15	S18027201	1	指针式鼓风机	NEEDLE BLOWER	
16	062400816	2	螺钉 M4X8	SCREW PAN M4X8	
17	S15031010	1	空气管 4X2.5	AIR TUBE, 4X2.5	
18	S04897000	1	火花塞 4	PLUG 4	
19	SA7155001	2	隔离圈	SPACER	
20	S10243000	2	尼龙夹 NK-3N	CORD HOLDER, NK-3N	
21	0A5401006	2	螺钉(带垫圈) M4X10DB	SCREW PAN (S/P WASHER) M4X10	
22	525907000	1	电线夹 #9	CORD HOLDER #9	

V4. 附属装置(选配件) / Attachment set (Option parts)

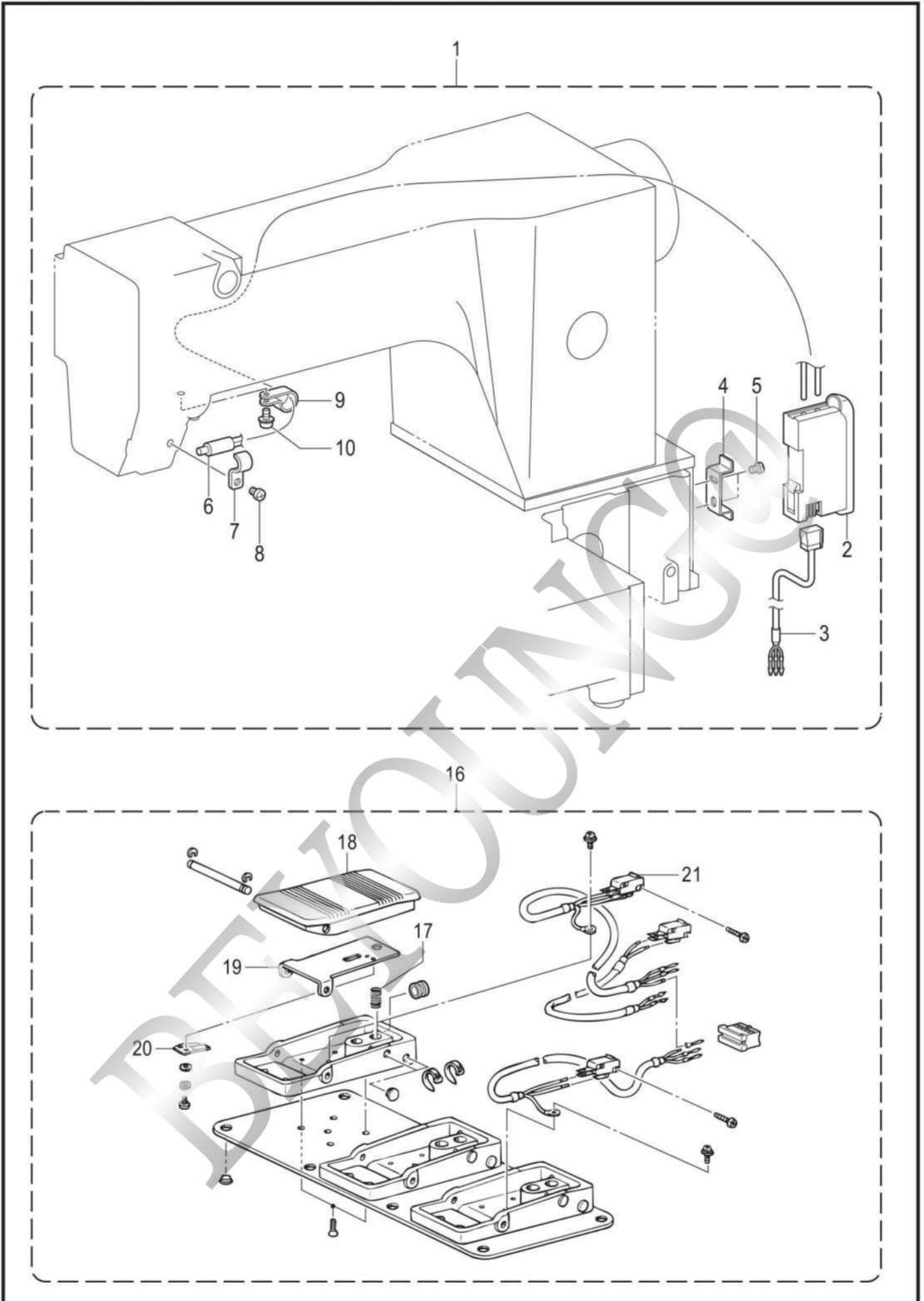
<用于311G,326G / For 311G,326G >



V4. 附属装置(选购件)/ Attachment set (Option parts)

参照号	零部件序号	数量	零部件名称	NAME OF PARTS	RM
			<用于311G, 326G>	<For 311G, 326G>	
1	SA7189101	1	内压脚回转装置(标签用)	INNER CLAMPING DEVICE SET	
2	S12633309	1	压脚曲柄组件 LA	WORK CLAMP CRANK ASSY LA	
3	S12634109	1	压脚曲柄座架 A	WORK CLAMP CRANK HOLDER, A	
4	S12635009	1	压脚曲柄座架 B	WORK CLAMP CRANK HOLDER, B	
5	S12636001	1	压脚曲柄座架 C	WORK CLAMP CRANK HOLDER, C	
6	S12641009	1	曲柄座架垫片	SPACER, CRANK HOLDER	
7	S59894001	2	螺栓SM4.37-40X12	BOLT, SOCKET SM4.37-40X12	
8	SA6373001	1	反转汽缸基架	REVERSE CYLINDER BASE	
9	018301236	2	螺栓 M3X12	BOLT SOCKET M3X12	
10	018301036	2	螺栓 M3X10	BOLT SOCKET M3X10	
11	S05665001	1	压脚曲柄 LA	WORK CLAMP CRANK, LA	
12	154235001	1	反转齿轮	REVERSE GEAR	
13	154236001	1	反转齿条	REVERSE RACK	
14	145087001	1	垫圈	WASHER	
15	149831101	1	螺钉 SM3.18	SET SCREW, SM3.18	
16	154237101	1	压板支架 L	WORK CLAMP PLATE HOLDER, L	
17	025350132	1	平垫圈 S3.5	WASHER PLAIN S 3.5	
18	100242003	1	螺钉 SM3.57-40X5	SCREW, SM3.57-40X5	
19	S12637009	1	反转杆	REVERSE ROD	
20	SA6362001	1	反转汽缸	REVERSE CYLINDER	
21	S12642009	2	螺杆 M3X35	BOLT SOCKET M3X35	
22	SA7193001	1	反转轴接头	REVERSE SHAFT JOINT	
23	018400836	1	螺栓 M4X8	BOLT SOCKET M4X8	
24	018300836	1	螺栓 M3X8	BOLT SOCKET M3X8	
25	017501216	1	螺栓 M5X12	BOLT M5X12	
26	021500216	1	六角螺母 M5	NUT 2 M5	
27	S18415101	2	接头 Q4M5	HALF UNION: Q4M5	
28	S12643001	1	外压脚 312-1	OUTER WORK CLAMP, 312-1	
29	117291002	2	螺钉 SM3.18	SCREW, FLAT SM3.18	
30	154252001	1	定位板 L	POSITIONING PLATE, L	
31	154253001	1	定位板 R	POSITIONING PLATE, R	
32	062670512	4	螺钉 SM3.57-40X5	SCREW PAN SM3.57-40X5	
33	025350332	4	平垫圈 L3.5	WASHER PLAIN L 3.5	
34	028350242	4	弹簧垫圈 2-3.5	WASHER SPRING 2-3.5	
35	154256101	1	压板(毛坯) A	WORK CLAMP PLATE BLANK, A	
36	SA7460001	1	压板(毛坯) 311G	FEED PLATE BLANK 311G	
38	S12165000	1	调整器	REGULATOR	
40	S04905000	2	接头	HALF UNION	
41	018400636	2	螺栓 M4X6	BOLT SOCKET M4X6	
42	025040236	2	平垫圈 M4	WASHER PLAIN M 4	
43	340400001	3	线夹	BEAD BAND	
44	S03803000	2	空气管 4 L=1300	AIR TUBE	
45	S28741000	1	空气管 4 L=300	AIR TUBE, 4 L=300	
46	SA6617001	1	压脚曲柄垫块 L	WORK CLAMP CRANK SPACER L	
47	SA6616001	1	压脚曲柄垫块 R	WORK CLAMP CRANK SPACER R	
48	S55484002	2	螺栓(带垫圈) M5X10	BOLT SOCKET (S/P WASHER) M5X10	
49	S55484002	2	螺栓(带垫圈) M5X10	BOLT SOCKET (S/P WASHER) M5X10	
50	S55485001	2	螺栓(带垫圈) M5X12	BOLT SOCKET (S/P WASHER) M5X12	
51	552907000	1	电线夹 #10	CORD HOLDER #10	
52	S12644001	1	外压脚 312-2	OUTER WORK CLAMP, 312-2	
53	S10542001	1	内压脚 LL	INNER CLAMP, LL	
54	S04516001	1	压脚曲柄 SS	WORK CLAMP CRANK, SS	
55	154297001	1	压脚曲柄 S	WORK CLAMP CRANK, S	
56	154291101	1	压板支架 S	WORK CLAMP PLATE HOLDER, S	
57	156492101	1	压板(毛坯) 7.5-A	WORK CLAMP PLATE BLANK7.5-A	

V5. 附属装置(选购件) / Attachment set (Option parts)



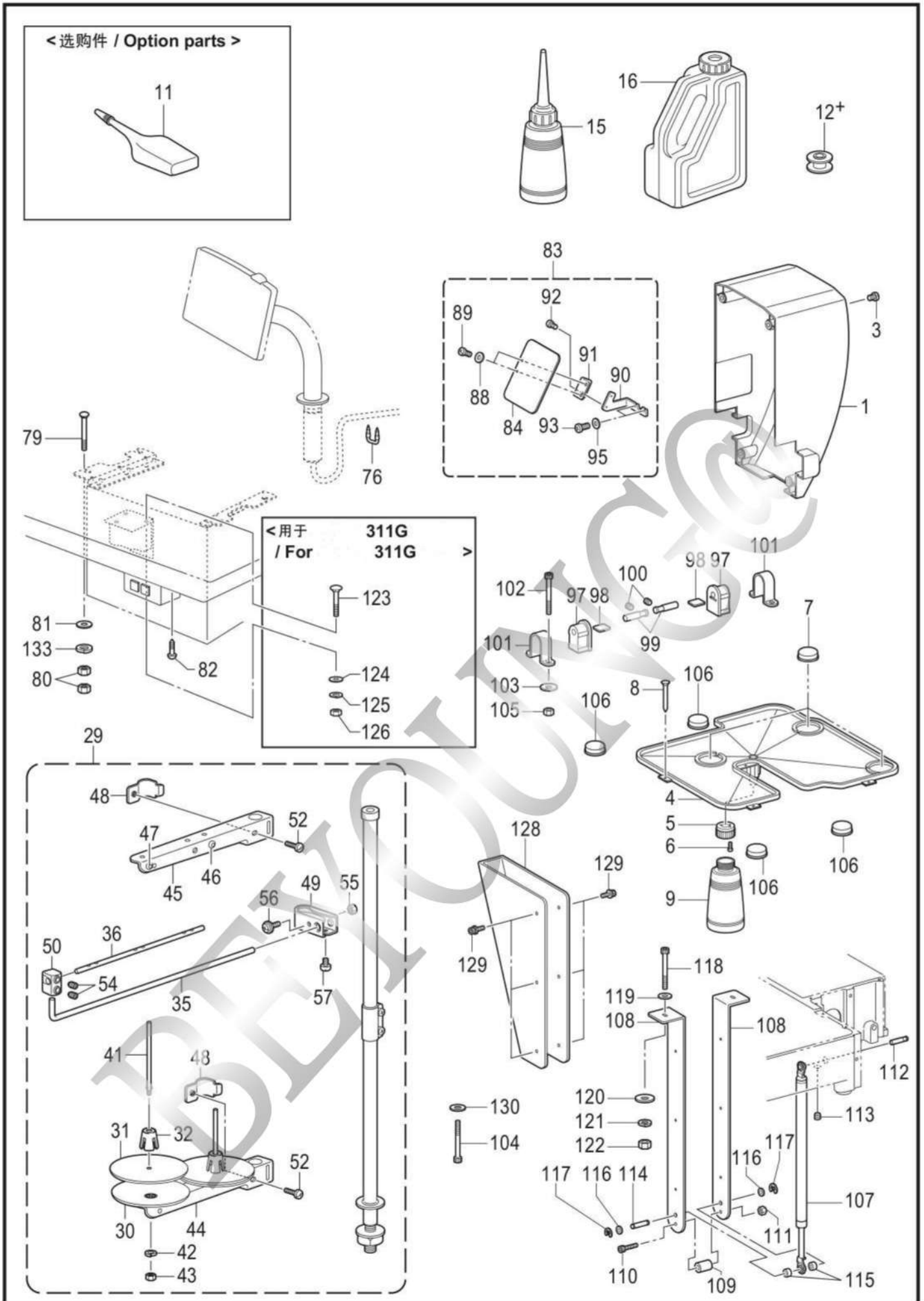
V5. 附属装置(选购件) / Attachment set (Option parts)

参照号	零部件序号	数量	零部件名称	NAME OF PARTS	RM
1	SA5193101	1	<用于欧洲以外> 断线传感装置组件 F	<Except for Europe> TR-BREAKAGE DETECTOR SET F	
2	SA4816001	1	信号放大器 FX311	FIBER AMP FX311	
1	SA51931E1	1	<用于欧洲> 断线传感装置组件 F	<For Europe only> TR-BREAKAGE DETECTOR SET F	
2	SA82520E1	1	信号放大器 FX311	FIBER AMP FX311 WEEE ASSY	
3	SA4817001	1	电缆线组件	AMP CABLE ASSY	
4	SA4818001	1	放大器安装支架	DIN METAL FITTING	
5	062300616	2	螺钉 M3X6	SCREW PAN M3X6	
6	SA4819001	1	光导纤维传感器 FDFM2	FIBER FDFM2	
7	SA5194001	1	传感器安装板	SENSOR SETTING PLATE	
8	062500616	1	螺钉 M5X6	SCREW PAN M5X6	
9	625010000	1	尼龙夹 NK-2N	NYLON CLAMP NK-2N	
10	0A5401006	1	螺钉(带垫圈) M4X10DB	SCREW PAN (S/P WASHER) M4X10	
16	SA6495101	1	<用于欧洲以外> 3连脚踏开关组件	<Except for Europe> 3-PEDAL FOOT SW ASSY	
16	SA64951E1	1	<用于欧洲> 3连脚踏开关组件	<For Europe only> 3-PEDAL FOOT SW ASSY	
17	S38170001	3	弹簧	FOOT PEDAL SPRING	
18	S38174000	3	脚踏板	FOOT PEDAL	
19	S38175101	3	脚踏护板	PROTECTION PLATE PEDAL	
20	S38176101	3	弹簧板	SPRING, PLATE	
21	S36260000	1	开关 VX	MICRO SWITCH:VX-01-1A3	

Z. 附件 / Accessories

参照号	零部件序号	数量	零部件名称	NAME OF PARTS	RM
1	SA4842001	1	马达罩盖	MOTOR COVER	
3	062061016	4	螺钉 M6X10	SCREW PAN M6X10	
4	SA4844001	1	油盘	OIL PAN	
5	154467001	1	废油回收壶盖	DUST OILER	
6	037301215	2	螺销 M3X12	TAPPING SCREW PAN V M3X12	
7	SA3540001	3	缓冲橡皮垫	RUBBER CUSHION	
8	109714000	7	钉	NAIL	
9	114486002	1	油壶	OILER	
12+	* P. 90	1	梭芯	BOBBIN	
15	114483002	1	油壶组件	OILER ASSY	
16	SB0643001	1	油箱组件	OIL TANK ASSY	
29	S40574309	1	线架组件 2DTHF	COTTON STAND ASSY 2DTHF	
30	S51283001	2	垫圈	SPOOL STAND BASE	
31	150182000	2	线盘软垫	SPOOL MAT	
32	S51282101	2	线轴缓冲架	SPOOL CUSHION	
35	S04109001	1	过线杆支杆	THREAD GUIDE SUPPORT BAR	
36	142997001	1	过线杆 3	THREAD GUIDE, 3	
41	150179002	2	线轴 B	SPOOL SHAFT B	
42	028050243	2	弹簧垫圈 2-5	WASHER SPRING 2-5	
43	021500103	2	螺母 M5	NUT 1 M5	
44	SA6607001	1	过线架 2	SPOOL HOLDER 2	
45	SA6607001	1	过线架 2	SPOOL HOLDER 2	
46	150183000	2	过线管套	THREAD HANGER BASE	
47	142990001	2	过线架上过线管	THREAD BUSH	
48	SA6609001	2	过线架定位	SPOOL HOLDER SUPPORTER	
49	SA6615001	1	线导向架	THREAD GUIDE HOLDER	
50	138843001	1	连接器	JOINT	
52	062061603	2	螺钉 M6X16	SCREW PAN M6X16	
54	014060632	2	固定螺钉 M6X6	SET SCREW SOCKET (CP) M6X6	
55	021500103	1	螺母 M5	NUT 1 M5	
56	S37037001	1	螺钉 M5X32	SCREW PAN (S/P WASHER) M5X32	
57	062061003	1	螺钉 M6X10	SCREW PAN M6X10	
76	200190001	7	U形卡钉	STAPLE 10X20	
79	SA9893001	4	螺栓 M8X65	BOLT M8X65	
80	021080206	8	螺母 M8	NUT 2 M8	
81	025080336	4	平垫圈 L8	WASHER PLAIN L 8	
133	028080246	4	弹簧垫圈 2-8	WASHER SPRING 2-8	
82	S03816001	2	圆头木螺钉 M4.5X16	WOOD SCREW M4.5X16	
83	SB0557101	1	护眼板套件E	EYE GUARD SET E	
84	S44485101	1	护眼板	EYE GUARD	
88	026030233	2	垫圈 M3	WASHER PLAIN M 3	
89	062300616	2	螺钉 M3X6	SCREW PAN M3X6	
90	SB0559101	1	护眼板架A	EYE GUARD HOLDER A	
91	SB0556001	1	护眼板架B	EYE GUARD HOLDER B	
92	062400616	1	螺钉 M4X6	SCREW PAN M4X6	
93	062400816	2	螺钉 M4X8	SCREW PAN M4X8	
95	026040136	2	平垫圈 S4	WASHER PLAIN S 4	
97	SA3395001	2	橡皮铰链	RUBBER CUSHION	
98	SA3392001	2	垫片	SPACER	
99	SA3384001	2	机头支承销	PIN	
100	012060636	2	螺钉 M6X6	SET SCREW SOCKET (FT) M6X6	
101	SA3385001	2	头部铰链座	HINGE HOLDER	
102	018066036	4	螺栓 M6X60	BOLT SOCKET M6X60	
103	213650001	4	垫圈 2.3X8.5X38	WASHER, 2.3X8.5X38ST	
104	018066036	1	螺栓 M6X60	BOLT SOCKET M6X60	
105	021060106	4	螺母 M6	NUT 1 M6	
106	SA3540001	4	缓冲橡皮垫	RUBBER CUSHION	
107	SB0468001	1	311G缓冲器组件	SHOCK ABSORBER GAS ASSY 311G	
108	SA4846001	2	缓冲器支架	HOLDER ABSORBER	
109	SA5251001	1	垫圈	SPACER	
110	018064031	1	螺栓 M6X40	BOLT SOCKET M6X40	
111	021060106	1	螺母 M6	NUT 1 M6	
112	SA4847001	1	轴 U	SHAFT U	






Z. 附件 / Accessories



Z. 附件 / Accessories

参照号	零部件序号	数量	零部件名称	NAME OF PARTS	RM
113	012060636	1	螺钉 M6X6	SET SCREW SOCKET (FT) M6X6	
114	S17974101	1	轴 D	SHAFT D	
115	S17975200	2	轴套 GS	SHAFT COLLAR, GAS	
116	025080132	2	垫圈 S8	WASHER PLAIN S 8	
117	048060342	2	挡圈 E6	RETAINING RING E6	
118	018066036	1	螺栓 M6X60	BOLT SOCKET M6X60	
119	025060236	2	平垫圈 M6	WASHER PLAIN M 6	
120	213650001	2	垫圈 2.3X8.5X38	WASHER, 2.3X8.5X38ST	
121	028060246	2	弹簧垫圈 2-6	WASHER SPRING 2-6	
122	021060106	2	螺母 M6	NUT 1 M6	
128	SA6261001	1	支架盖	HOLDER ABSORBER COVER	
129	S55479001	6	螺栓(带垫圈) M4X8	BOLT SOCKET (S/P WASHER) M4X8	
130	025060236	1	平垫圈 M6	WASHER PLAIN M6	
			<用于 311G >	<For 311G >	
123	119755001	3	螺栓 M6X60	BOLT, M6X60	
124	025060236	3	平垫圈 M6	WASHER PLAIN M 6	
125	028060246	3	弹簧垫圈 2-6	WASHER SPRING 2-6	
126	021060106	3	螺母 M6	NUT 1 M6	
			<选购件>	<Option parts>	
11	S06706001	1	硅油	SILICONE OIL	

Wa. 警告标签 / Warning labels

警告标签 / Warning labels	零部件名称 / Name of parts	尺寸 / Size(mm)	零部件序号 / Code
	<p>感电标签(6国) Label, elec. shock 6 lang</p>	50 X 118	J04115-001
	<p>操作注意标签 Label caution</p>	56 X 43	SA9826-001
	<p>警告标记 Injury mark</p>	L=25	SA9957-002
	<p>接地标记 Label, grounding</p>	φ 12	S37060-001
	<p>PE标记 Label, PE</p>	7.5 X 12.5	S37059-001